

Order Picker Security Camera

FEATURES

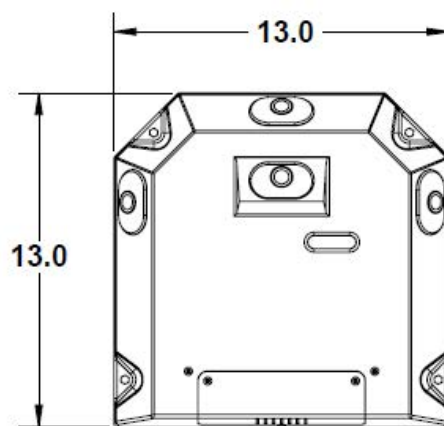
- Provides 360 view of operator, machine controls and surrounding work area for complete surveillance
- Four 2MP Cameras provide High-Definition 1080P Video for investigations
- 500 Gigabytes of On-Board Video Storage included
- Wide Operating Voltage Range 24-72 VDC
- Universal Ceiling Mount, Fits Most Order Pickers on the Market



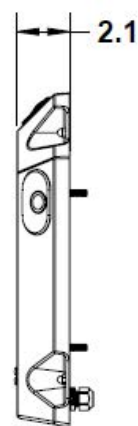
MODEL

FSC-HAPNM9000-VS1 Wren order picker security camera, equipped with four high definition cameras and 500GB video storage

DIMENSIONS



WEIGHT: 10lbs



UNITS: INCHES

PRODUCT SPECIFICATIONS

| MODEL NUMBER | FSC-HAPNM9000-VS1 |
|------------------------------|---|
| Camera Specifications | |
| Video Resolution | 1920x1080, 1280x1024, 1280x960, 1280x720, 1024x768, 800x600, 800x448, 720x576, 720x480, 640x480, 640x360, 320x240 |
| Maximum Frame Rate | H.265/H.264: 2MP 30fps, MJPEG: 30fps |
| Lenses | |
| Imaging Device | 1/2.8" 2MP CMOS |
| Min. Illumination | Color: 0.045Lux (F2.0, 1/30sec) |
| Focal Length (Zoom Ratio) | 2.4 mm fixed focal |
| Max Aperture | F2.0 |
| Angular Field of View | H: 138, V: 73, D: 165 |
| Supported Features | |
| Camera Title | Displays up to 85 characters |
| Day & Night | Auto (Electrical) |
| Backlight Compensation | BLC, HLC, WDR, SDR |
| Wide Dynamic Range | 120dB |
| Digital Noise Reduction | SSNR V |
| Digital Image Stabilization | Support |
| Motion Detection | 8ea, 8point polygonal zones |
| Privacy Masking | 32ea, polygonal zones |
| Gain Control | Low / Middle / High |
| White Balance | ATW / AWC / Manual / Indoor / Outdoor |
| Electronic Shutter Speed | Minimum / Maximum / Anti-flicker (2~1/12,000 sec) |
| Analytics | Defocus detection, Directional detection, Motion detection, Enter/Exit Tampering, Virtual Line |
| Alarm I/O | Input 2ea / Output 2ea |
| Alarm Triggers | Analytics, Network disconnect, Alarm input |
| Alarm Events | SD/SDHC/SDXC at event triggers, Alarm output |
| General | |
| Web page Language | English, Korean, Chinese, French, Italian, Spanish, German, Japanese, Russian, Swedish, Portuguese, Czech, Polish, Turkish, Dutch, Hungarian, Greek |
| Edge Storage | Micro SD/SDHC/SDXC 2 slots [256GB X 2] |
| Memory | 4GB RAM, 512MB Flash |
| Network/Security | |
| Ethernet | RJ-45(10/100/1000BASE-T) |
| Protocol | IPv4, IPv6, TCP/IP, UDP/IP, RTP(UDP), RTP(TCP), RTCP, RTSP, NTP, HTTP, HTTPS |
| Security | SSL/TLS, DHCP, FTP, SMTP, ICMP, IGMP, SNMPv1/v2c/v3(MIB-2), ARP, DNS, DDNS, QoS, PIMSM, UPnP, Bonjour, LLDP |

| MODEL NUMBER | FSC-HAPNM9000-VS1 |
|----------------------------------|--|
| Environment | |
| Operating Temperature & Humidity | -10°C ~ + 45°C (+14°F ~ +113°F) / Less than 95% RH(Non condensing) |
| Storage Temperature & Humidity | -50°C ~ + 60°C (-58°F ~ +140°F) / Less than 90% RH |
| IP Rating | IP40 (For Indoor Use Only) |
| Electrical | |
| Input Voltage | 24V-72V |
| Power Consumption | DC: Maximum 19.00W, Typical : 14.00W |
| Mechanical | |
| Product Dimensions | 13" x 13" x 2" |
| Weight | 10 pounds |
| Construction Material | |
| Frame | Steel (Black Textured Powdercoat) |
| Mount | Steel (Black Textured Powdercoat) |
| Cover | Polystyrene Cover (PS Black) |

Order Picker Security Camera

MOUNTING COMPATABILITY

The Wren Order Picker Security Camera is equipped with an "X", "Y", "Z" adjustable ceiling mount that attaches to grid style roof structures and is compatible with most order pickers on the market.

Use the chart to verify compatibility with your machine.

| MODEL NUMBER | FSC-HAPNM900-VS1 |
|----------------------------|-----------------------------|
| MOUNT COMPATIBILITY | |
| A | Range of 4.5 to 6.25 inches |
| B | 14 inches or greater |
| C | 2 ± .25 inches |

