

POINT-OF-SALE CAMERA ARM

FEATURES

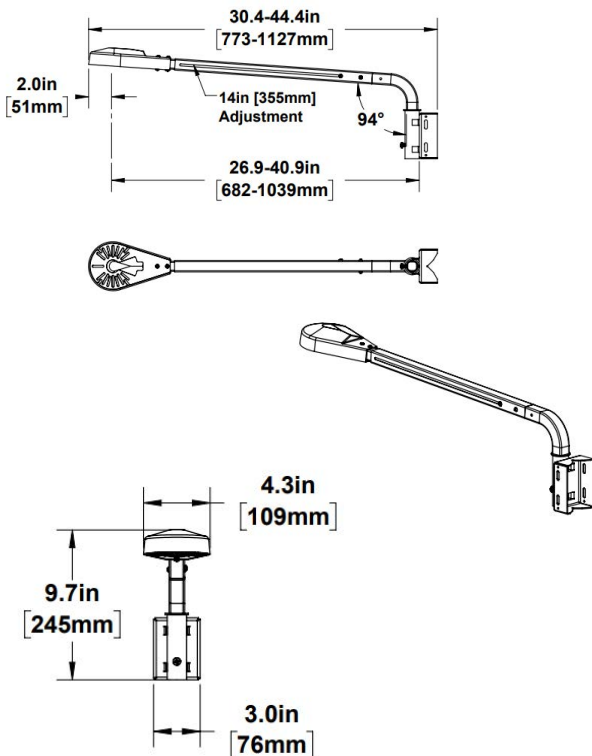
- Easy to install, with no lift required
- Universal design accommodates square or round poles 2-9 inches
- Precise camera positioning increases camera analytic efficiencies (vertical, horizontal, and rotational adjustment)
- Accommodates a wide range of cameras from various manufacturers
- Facilitates repeatable installations and deployments for scalable project roll outs



MODELS

PSAP-S-UCB1-D Point-of-Sale Camera Armature, Pole Mount, Short Reach, 27"-41", Universal Camera Bracket (Camera Not Included)

DIMENSIONS



MODEL NUMBER	PSAP-S-UCB1-D
CONSTRUCTION	
PSAP ARMATURE	
Material	Steel
Finish	Powder Coat
Color	Gray
MOUNTING BRACKETS	
Material	Steel
Finish	Powder Coat
Color	Gray
CAMERA ENCLOSURE	
Material	Polystyrene
Color	Black
PHYSICAL	
Environment	Indoor
Product Dimensions	44.4"x 9.7"x 4.3"
Product Weight	
Shipping Dimensions	28"L x 4"W x 4"D
Shipping Weight	