

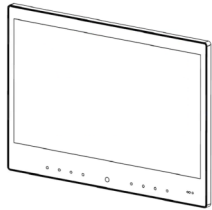
Quick Start Guide

MODEL(s): PVM21-B-2094-X, PVM27-B-2094-X, PVM32-B-2094-X

Congratulations on the purchase of your Wren HD Public View Monitor. This versatile tool can be used to deter shoplifting, assist with investigations and increase sales.

The Quick Start Guide provides an overview of the primary installation and setup steps. For additional detail, please refer to the full length User Guide.

Unpack and verify that the following contents were included



PVM



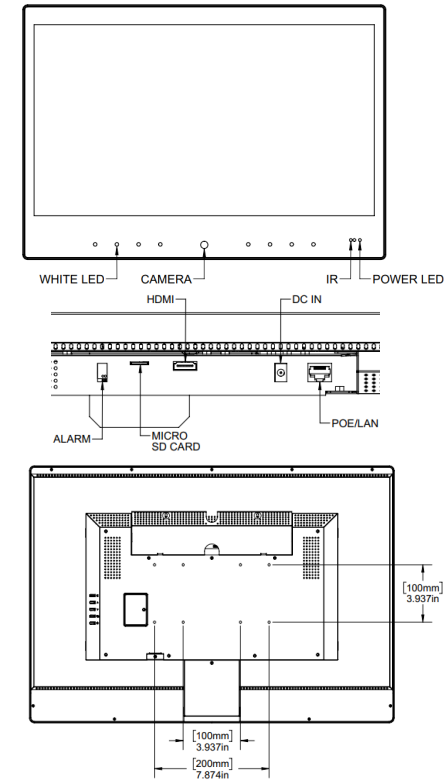
Remote Control



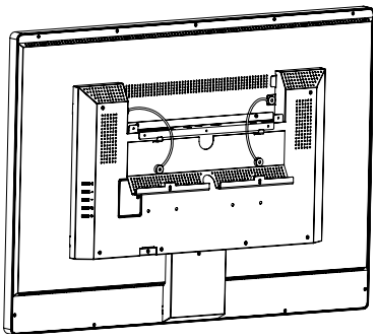
AAA Battery x 2



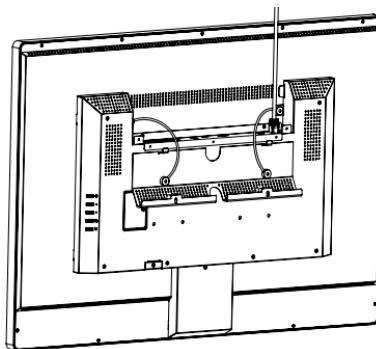
Quick Start Guide



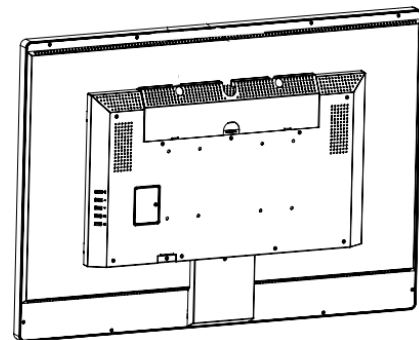
1) Remove the access cover



2) Connect POE ethernet cable or 12VDC



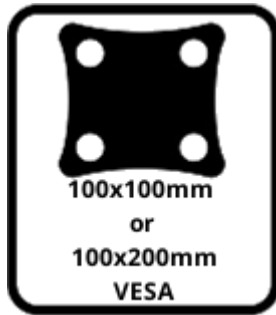
3) Re-install Access Door



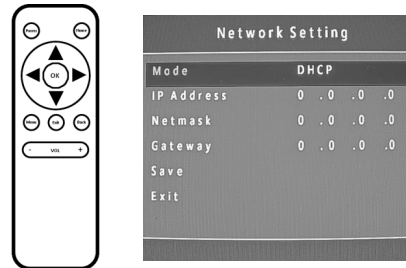
Quick Start Guide

MODEL(s): PVM21-B-2094-X, PVM27-B-2094-X, PVM32-B-2094-X

4) Mount the PVM per the mounting instructions



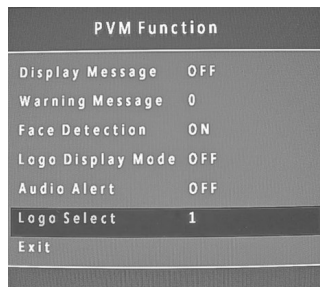
5) Configure IP Address via OSD Menu
(Menu > Setup Menu > Camera Settings > Network Setting)



6) Configure Date & Time via OSD Menu
(Menu > Setup Menu > Camera Settings > Date & Time Setting)



7) Select Logo via OSD Menu
(Menu > PVM Function > Logo Select)



A full length user guide can be obtained through your system administrator, or by contacting WREN Technical Support at the following.

124 Wren Parkway — Jefferson City, MO 65109

Email: wrensupport@wrensolutions.com

Phone: (800) 881-2249 opt. 4

www.wrensolutions.com