

COMPONENT LIST

- A. VESA Plate (2)
- B. Pole Adapter
- C. Hardware Pack - Monitor Mounting Screws

Wren GVM32-0-3011-B 32" Monitor

- (8) M6 x 1mm, 10mm lg. Pan Head Phillips Screw
- (8) M6 Flat Washer

Wren GVM43-0-3016-B 43" Monitor

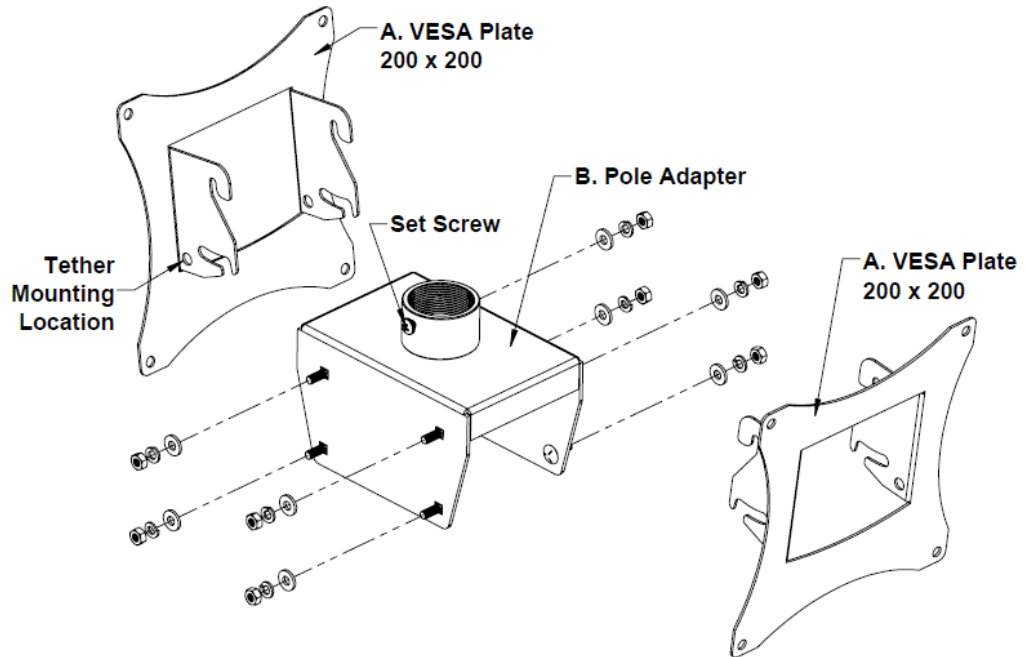
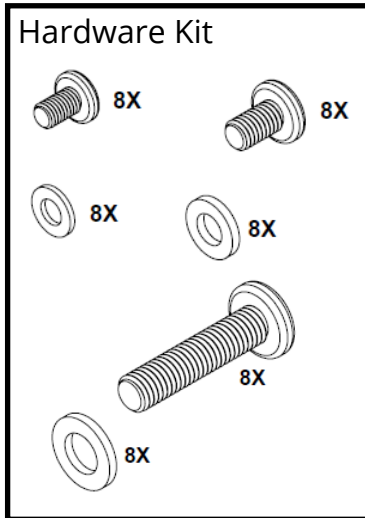
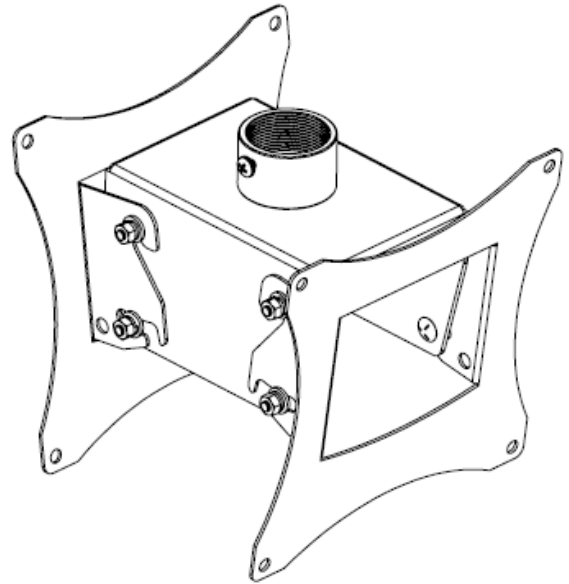
- (8) M5 x 0.8mm, 8mm lg. Pan Head Phillips Screw
- (8) M5 Flat Washer

Wren GVM43-0-3017-B 43" Monitor

- (8) M6 x 1mm, 10mm lg. Pan Head Phillips Screw
- (8) M6 Flat Washer

Samsung QM55R, 55" Monitor

- (8) M8 x 1.25mm, 35mm lg. Pan Head Phillips Screw
- (8) M8 Flat Washer



INSTALLATION STEPS

1. Install VESA Plate to back of monitor.
2. Thread Pole Adapter to CM-XL-xx Pole or 1.5" threaded pipe.
3. Tighten set screw on pole adapter.
4. Hook each VESA plate with monitor to studs on either side of the Pole Adapter.
5. Loosely install washers and nuts.
6. Adjust desired monitor tilt.
7. Tighten nuts.
8. **IMPORTANT:** Attach Safety Tether (included with CM-XL-xx Pole)