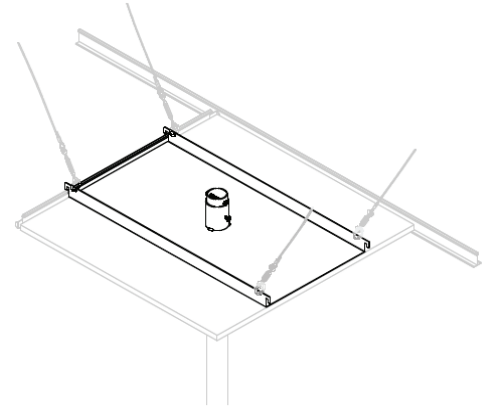


# MOUNTS - DCSP

## CEILING SUPPORT PLATE

### FEATURES

- Safety and Designed to Install into Standard 2' x 2' Drop Ceiling
- Height Adjustments Can be Made by Raising or Lowering the Pole and Securing It Into Place with the Included Locking Collar
- Double Safety System
- Safety Cables with Adjustable Turnbuckles Included



MODEL NUMBER	DCSP-CMSBB10	DCSP-CMXL
Material	Steel	Steel
Product Weight	8lbs	8lbs
Product Dimensions	24.7" x 12" x 1.4" (62.7cm x 30.48 cm x 3.55 cm)	24.7" x 12" x 1.4" (62.7cm x 30.48 cm x 3.55 cm)
Max Load	35 lbs (2.7 kg)	60.0 lbs (27.2 kg)
Pole Diameter Size (in)	1.375" (3.49 cm)	1.75" (4.44 cm)

### DIMENSIONS

