

INSTALLATION INSTRUCTIONS



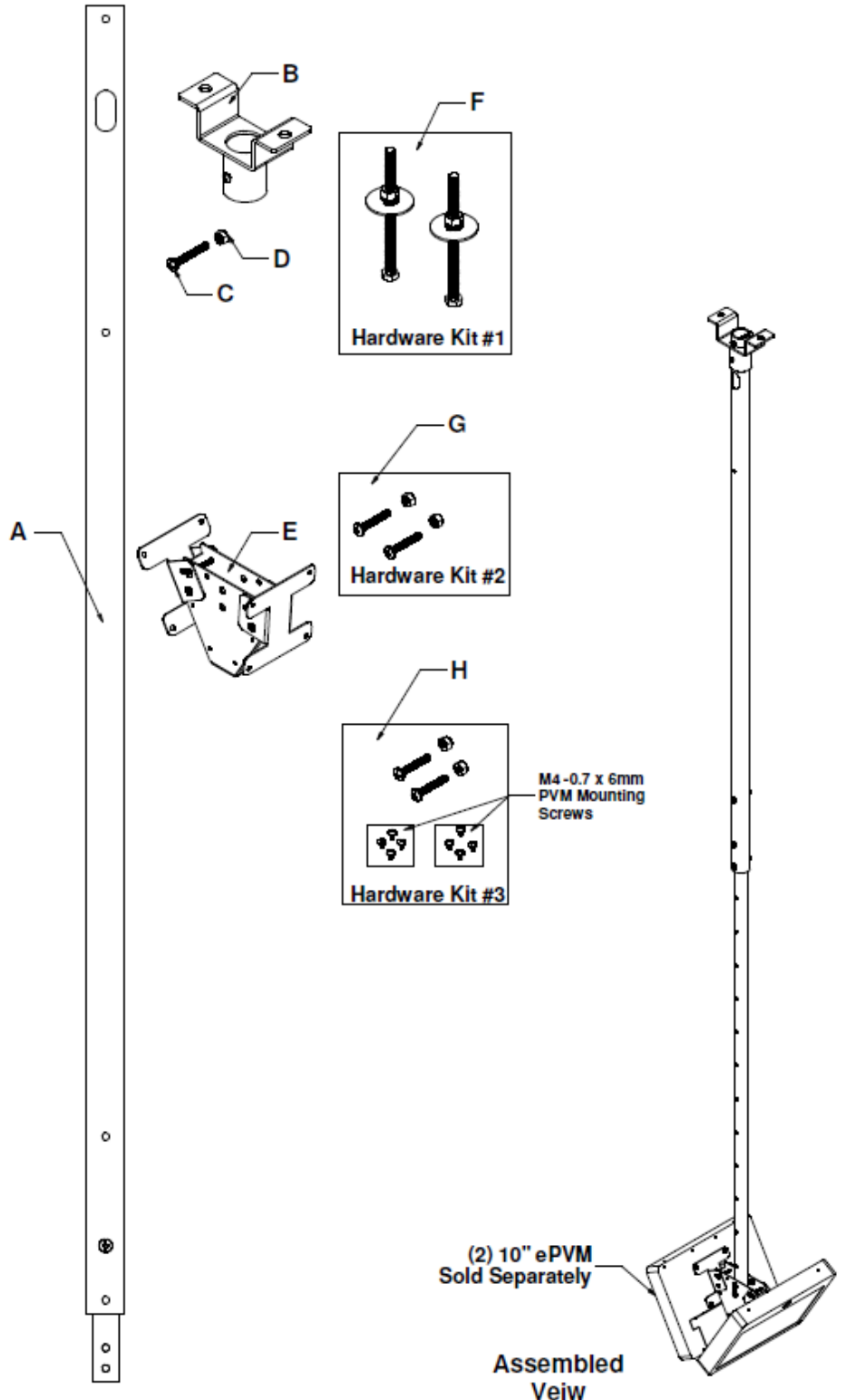
CM-BB10-8-W Ceiling Mount, Back to Back 10" PVM, 5' to 8' adjustment.

CM-BB10-17-W Ceiling Mount, Back to Back 10" PVM, 5' to 17' adjustment.

STEP I - Remove Items from boxes and inspect.

Supplied Parts

- A. Tube Assembly
Outer Tube, Adjusting Tube, & Bolt
Note: CM-BB10-8-W tube length 48"
CM-BB10-17-W tube length 103"
- B. Top Assembly
- C. Screw, 1/4-20 x 1.75"
- D. Lock nut, 1/4-20
- E. Back to Back Mount Assembly
- F. Hardware Kit #1
(2) Bolts, 3/8"-16 x 5.5" Lg. Hex Head.
(2) Washer, Fender, 3/8ID x 1.75OD
(2) Washer, Split Lock, 3/8"
(2) Nut, Hex, 3/8-16
- G. Hardware Kit #2
(2) Screw, Pan Head, 1/4-20 x 1.75 Phillips
(2) Locknut, 1/4-20
- H. Hardware Kit #3
(2) Screw, Pan Head, 1/4-20 x 1.5" Phillips
(2) Locknut, 1/4-20
(2) Packages of 4 screws M4-0.7 x6mm
- I. Safety Tether Assembly
(Not shown)



Required Tools

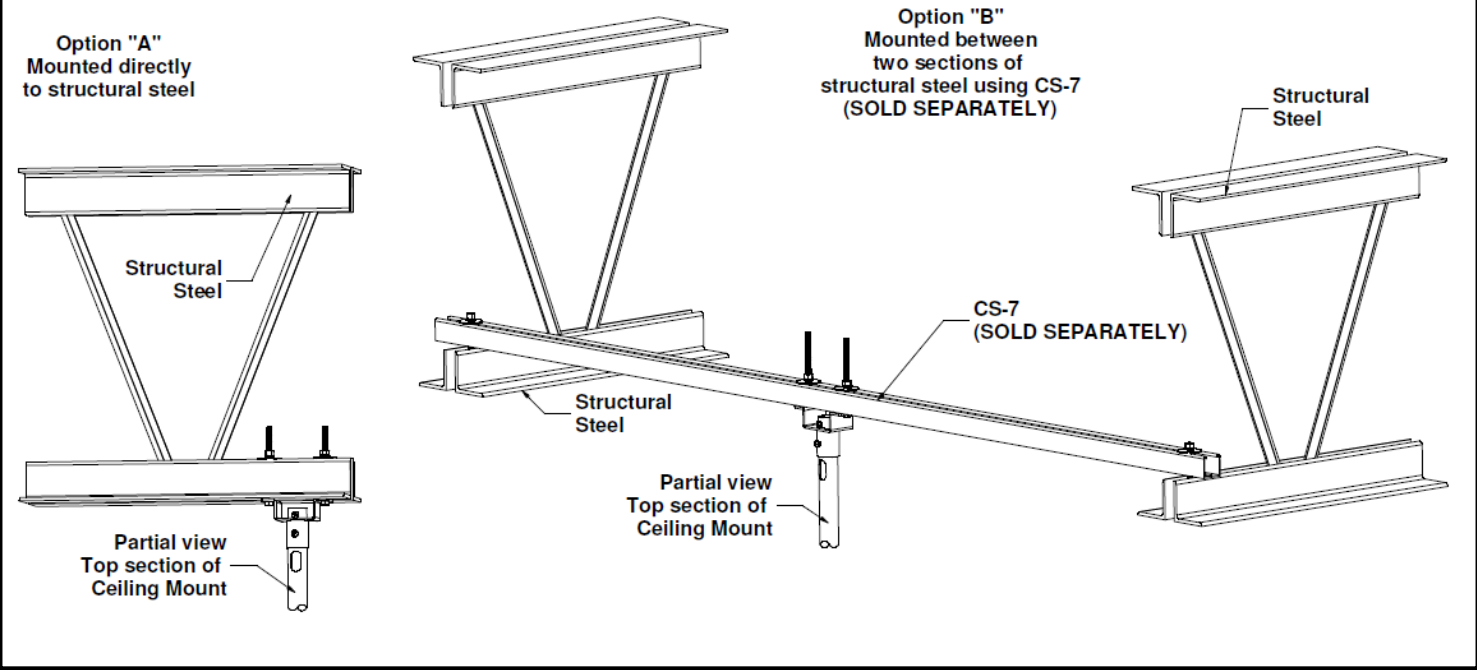
- 1. Screw driver #2 Phillips
- 2. Wrench 7/16"
- 3. Wrench 11/32 "

INSTALLATION INSTRUCTIONS



STEP 2 - Route Ethernet cables to desired location.

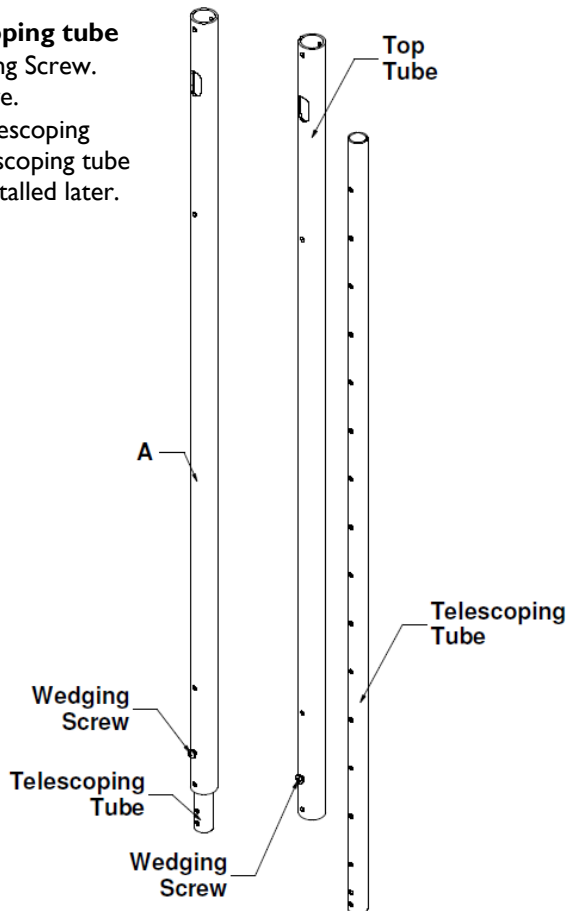
STEP 3 - Choose Mounting option A or B



STEP 4 - Prepare parts for installation

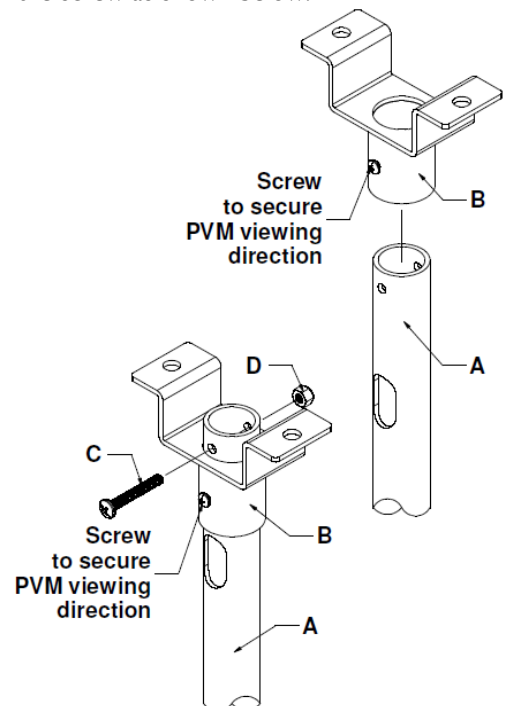
A. Remove Telescoping tube

- Loosen wedging Screw. Do not remove.
- Withdraw Telescoping tube. Set Telescoping tube aside to be installed later.



B. Top Tube Sub-Assembly

- **Note:** Choose mounting option and install part **B** before adding part **A**.
- Slide top end of part **A** thru coupling portion of part **B**.
- Insert part **C** thru top holes of part **A**.
- Secure rotational position by tightening the screw as shown below.

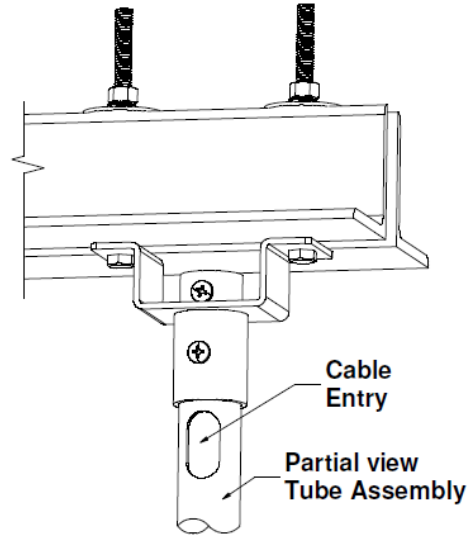
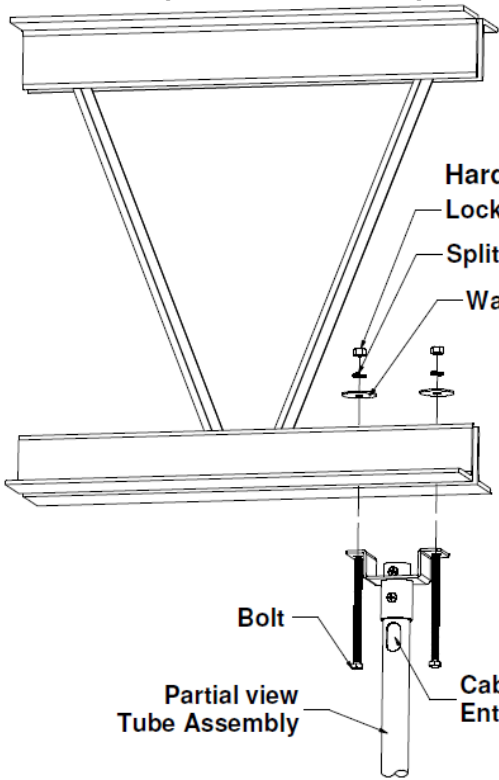


INSTALLATION INSTRUCTIONS



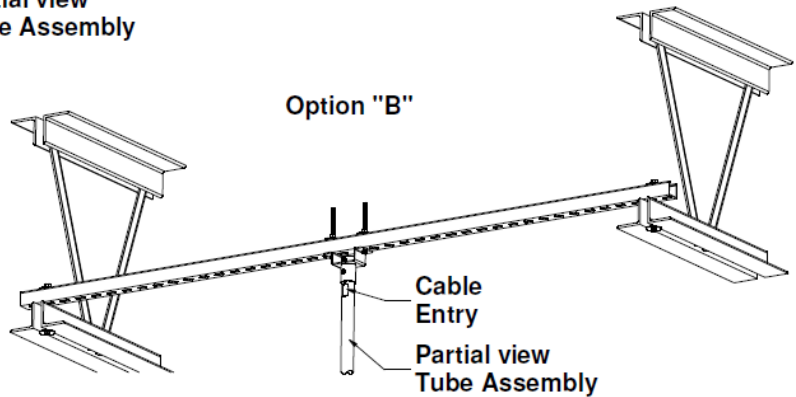
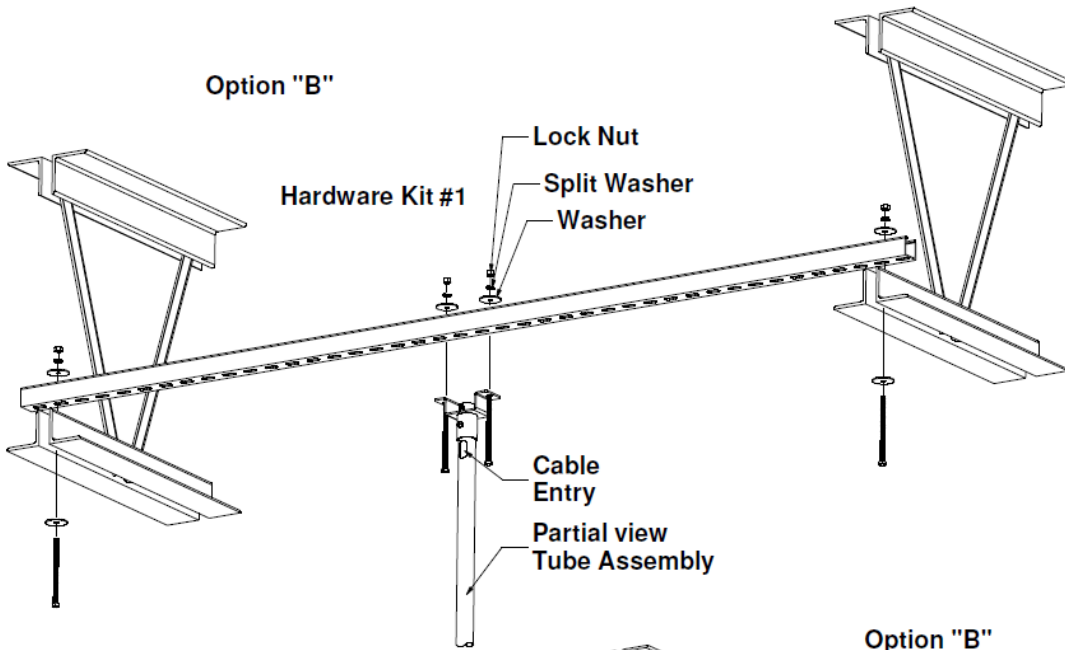
STEP 5- Install Top Tube Sub-assembly

Option "A"



Assembled View

Option "B"

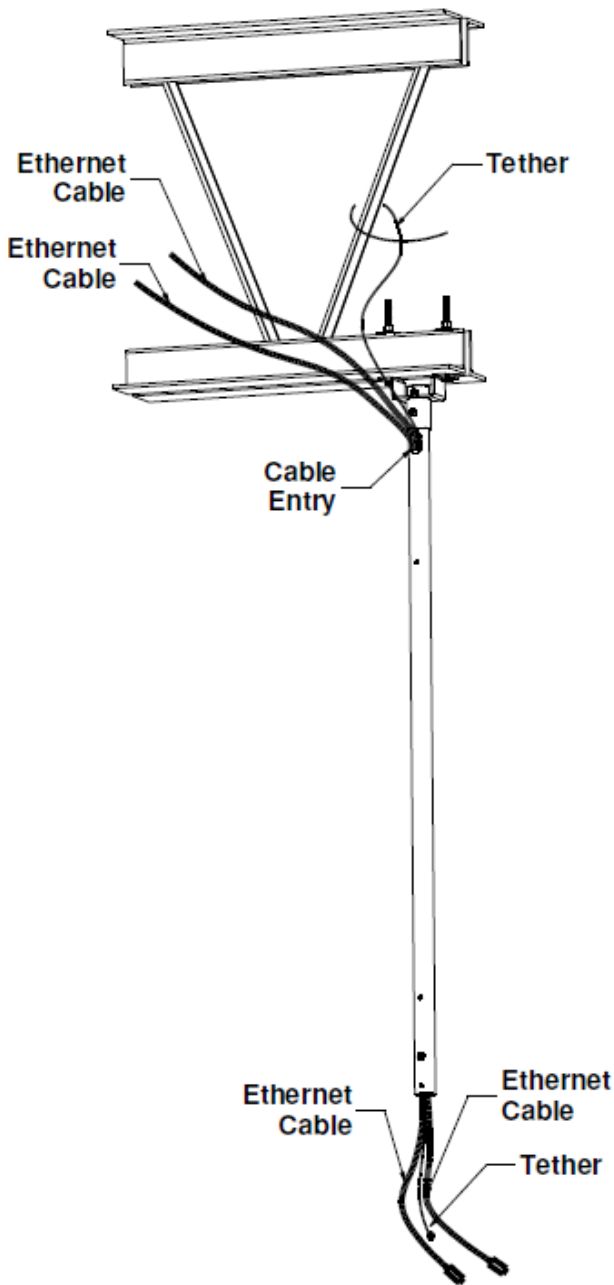


Assembled View

STEP 6- Process for installing Telescoping tube

A. Route Ethernet cables and Tether through tubing

- Route Ethernet cables and Tether through the Top Tube assembly as shown.
- Secure Tether to structural steel. Using cable clip found in Tether package. Leave no more than 12" slack in tether.
- The following amount of excess Ethernet cable should extend beyond the end of part "A".
CM-BB10-8-W excess of 5'
CM-BB10-17-W excess of 10'

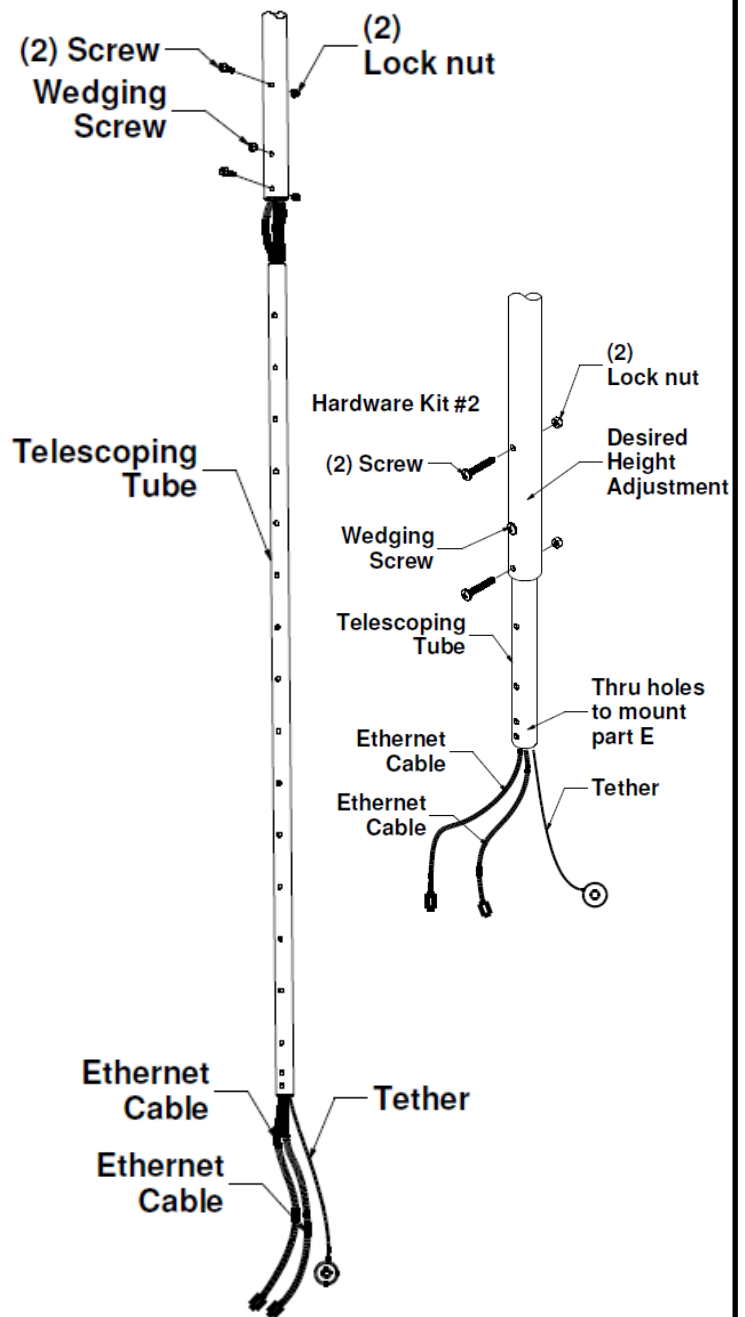


Note: Required amount of excess cable.

B. Install Telescoping tube and complete desired height adjustment.

- Route extended portion of Ethernet cables and Tether through Telescoping Tube.
- **Note: See the two holes used to mount part E in Telescoping tube. These holes must be exposed.**
- Slide Adjusting Tube into part "A" until bolt holes align at desired height.
- Using screws from Hardware Kit #2, lock the desired height. Slide screw through aligned adjustment holes of tubing and thread Lock nut in place.
- Tighten Wedging Screw to prevent wobble.

Hardware Kit #2



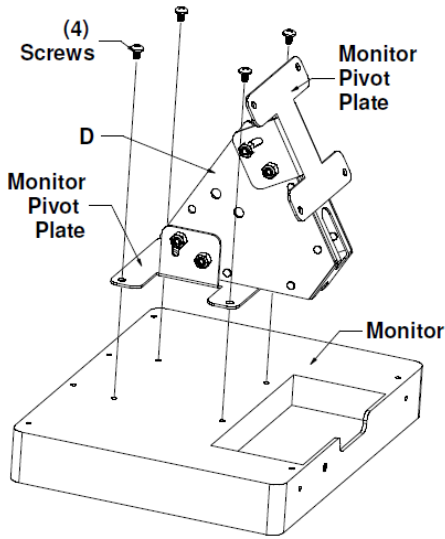
INSTALLATION INSTRUCTIONS



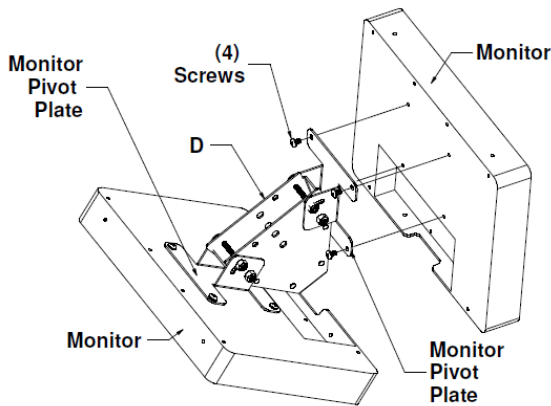
STEP 7 — Install 10" ePVM on Back to Back mount assembly

A. Prepare Monitors for installation.

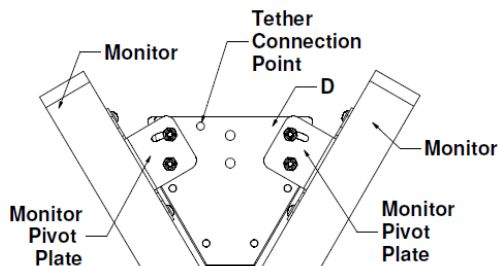
- Remove monitor access doors from each monitor. Set aside to be installed later.
- Hardware Kit #3 has 2 packages of monitor mounting screws. Use one package to mount each monitor to item "D".



MOUNTING FIRST MONITOR



MOUNTING SECOND MONITOR



SIDE VIEW IDENTIFICATION

STEP 8 — Mount Back to Back assembly to Telescoping Ceiling Mount

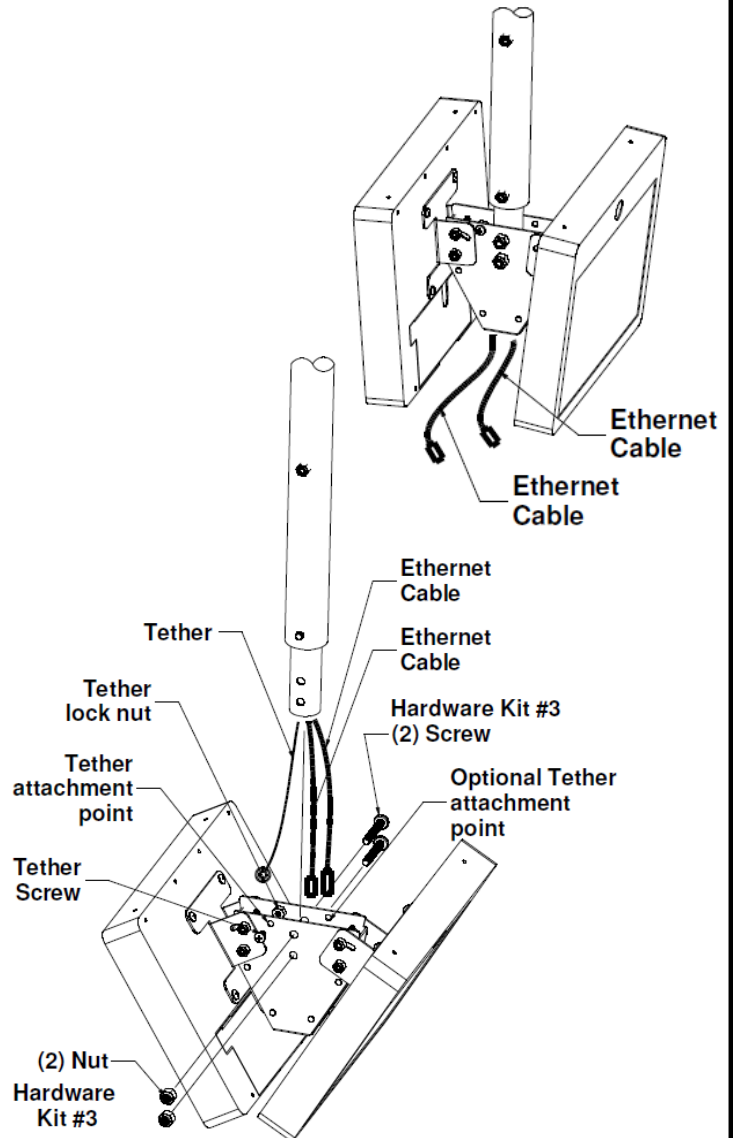
A. Attach Tether to Back to Back Assembly

- Use screw and nut found in Tether Package to attach Tether end with eye to Back to Back Assembly at either Tether attachment point identified below.

B. Route Ethernet cables through Back to Back Mount assembly.

C. Align Back to Back Assembly holes with holes in Telescoping tube.

D. Use the remaining 2 Screws and Lock nuts from Hardware Kit #3 to secure Back to Back Assembly on Telescoping tube.



STEP 9 — Complete Ethernet connections to ePVM

A. Connect Ethernet cable to ePVM.

- Loosen screw allowing monitor mounting bracket to pivot.
- Connect each Ethernet cable to the adjacent monitor.
- Install access door removed in STEP 7 on each monitor.
- Retract excess Ethernet cable.
- Position Monitors to desired camera viewing angle.
- Snuggly tighten Pivot Screw and nut to secure Monitor position.

