

INSTALLATION GUIDE

CEILING MOUNT LARGE FORMAT Model: CM-XL2-21-W



ABOUT THIS DOCUMENT

This document pertains to installation of the Ceiling Mount Large Format (CM-XL2-21-W). Before installation, please familiarize yourself with this installation guide.

PRODUCT MODIFICATIONS

This product is to be installed and used for the specific purpose for which it was designed. It is not to be modified or serviced by anyone other than Wren. Unauthorized changes or modifications to the product will result in the warranty being voided and could possibly invalidate regulatory certifications.

WARRANTY

Unless otherwise noted, all products are covered by Wren's Standard Limited Manufacturer's Warranty as set forth in the current version of Wren's [Terms and Conditions](#).

INTELLECTUAL PROPERTY RIGHTS

Wren maintains certain intellectual property rights that may pertain to this product. To see a list of our patents, please refer to the current version of Wren's [Terms, Conditions and Policies](#).

TRADEMARK ACKNOWLEDGMENTS

Wren®, the Wren logo, Hyperion® and the Hyperion logo are trademarks of Wren. The trademarks that are followed by ® are registered trademarks in the U.S. All other trademarks and/or registered trademarks mentioned herein are properties of their respective owners and are for reference purposes only. The use of such third party trademarks does not indicate any affiliation with or sponsorship of or by Wren. All rights reserved.

PRODUCT SUPPORT



WWW.WRENSOLUTIONS.COM/SUPPORT



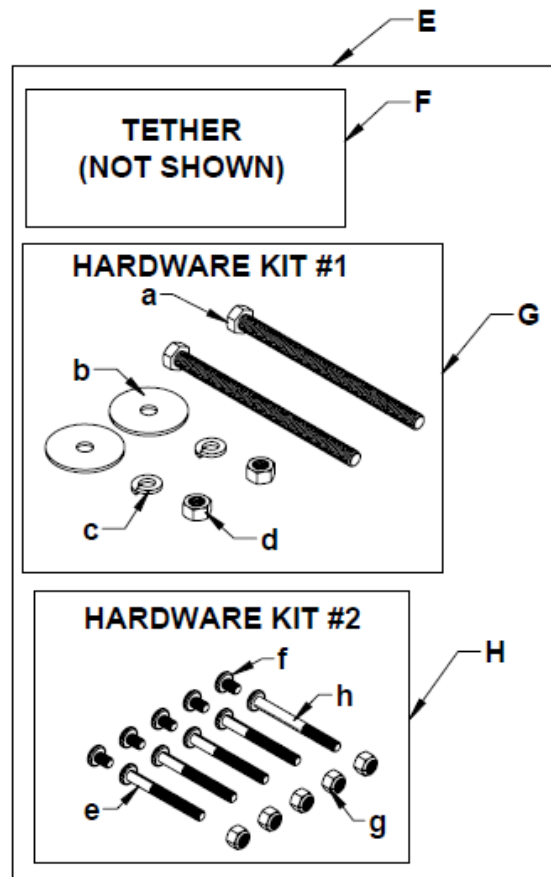
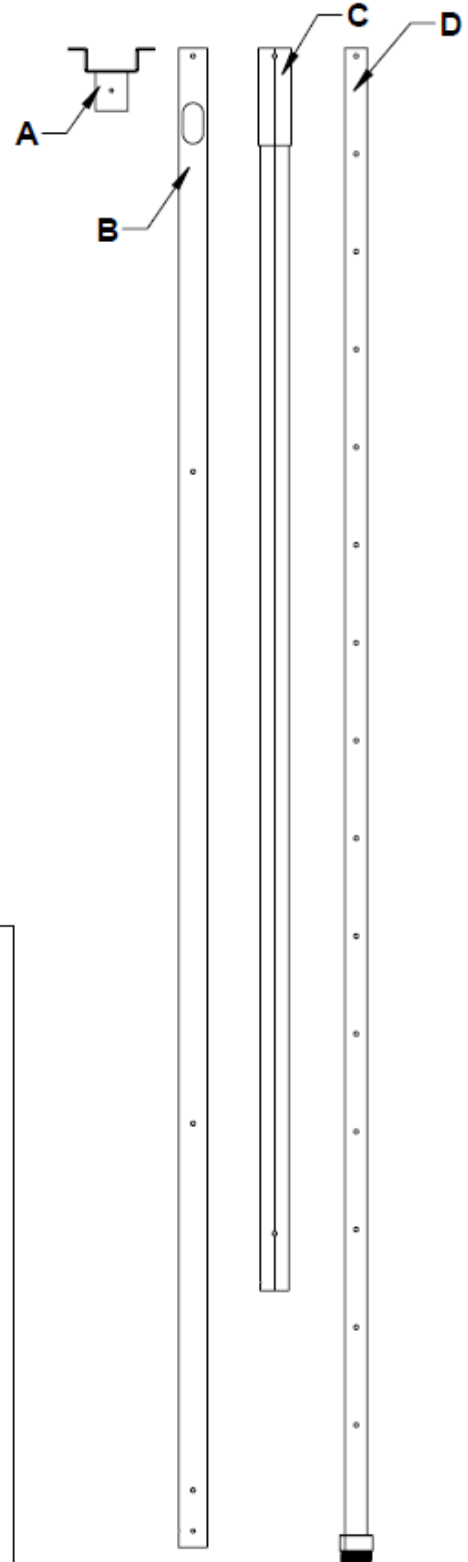
(800) 881-2249

EXTENSION 4

COMPONENT LIST

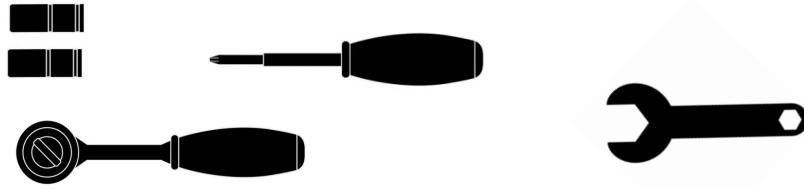
Prior to installation, verify that all hardware is included. If there are missing components, please contact Wren.

- A. Ceiling Mount Bracket
- B. Top Tube 1.75" dia.
- C. Extension Assembly
- D. Telescoping Assembly
- E. Hardware Bundle
 - F. Tether (not shown)
 - G. Hardware Kit #1
 - a. Bolt, Hex Head, 3/8-16 x 5.5"(2)
 - b. Washer (2)
 - c. Washer, Split Lock 3/8 (2)
 - d. Hex Nut, 3/8-16 (2)
 - H. Hardware Kit #2
 - e. Screw, 1/4-20 x 2.25" (4)
 - f. Screw, 1/4-28 x .375" (5)
 - g. Lock Nut, 1/4-20 (5)
 - h. Screw, 1/4-20 x 2.5" (1)
 - I. Install Instructions (not shown)



REQUIRED TOOLS AND ACCESSORIES

- Wrench / Socket 9/16"
- Wrench / Socket 7/16"
- Screwdriver #2
- Socket Ratchet



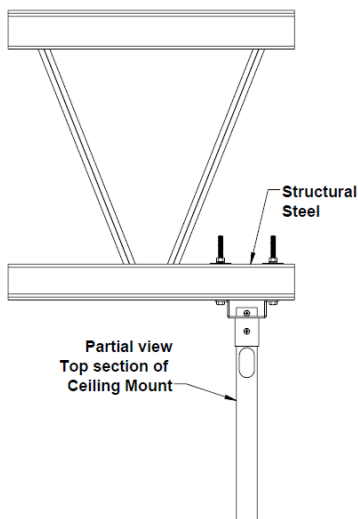
DEVICE OVERVIEW

The Wren Solutions CM-XL2-21-W is designed to safely mount large format PVM's and monitors overhead at various mounting heights. It is easy to deploy and gives you the deployment flexibility that is needed in the field.

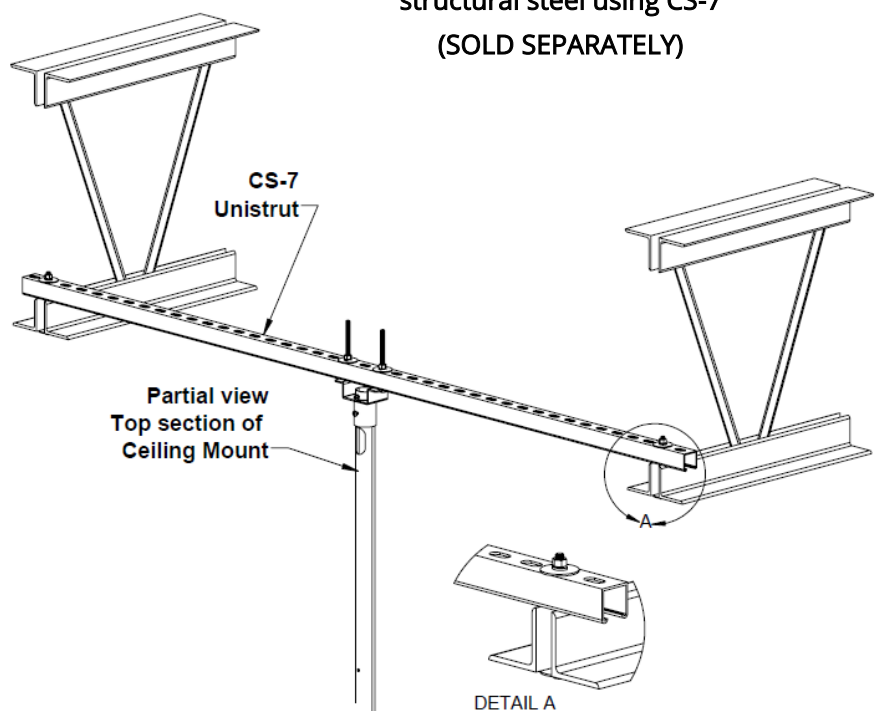
- Heavy duty mount, designed to safely suspend large format PVM's and monitors overhead
- Compatible with Wren Solutions Single or Back-to-Back monitor mounts
- Telescoping feature allows for 8' to 21' suspensions with 6" adjustment increments
- Ideal mounting solution for structural steel and Unistrut deployments
- Mount can be modified for lengths shorter than 8' with field modifications

CHOOSE MOUNTING OPTION

OPTION "A" Mounted directly to structural steel

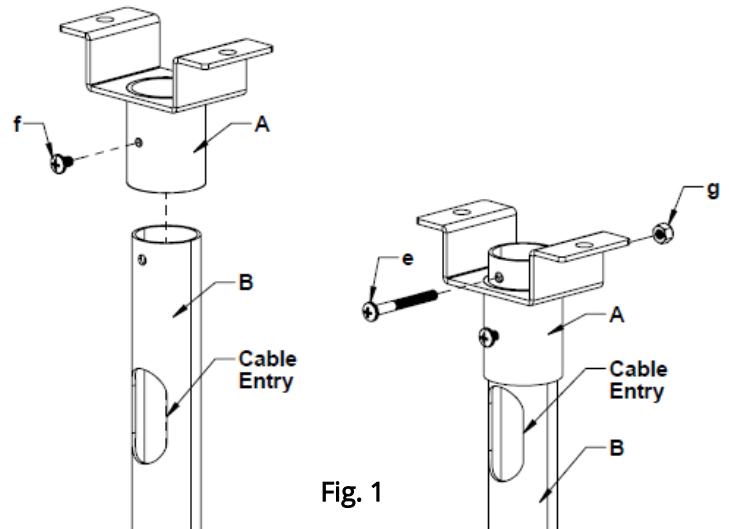


OPTION "B" Mounted between two sections of structural steel using CS-7 (SOLD SEPARATELY)

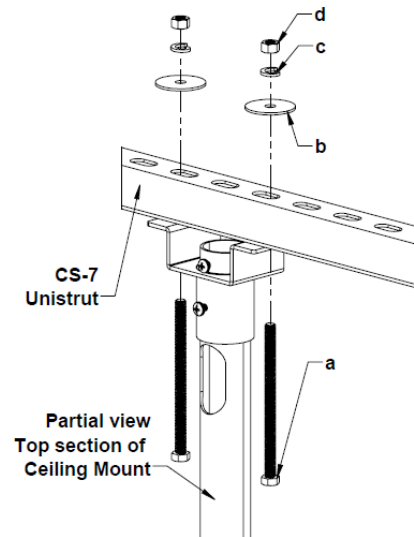
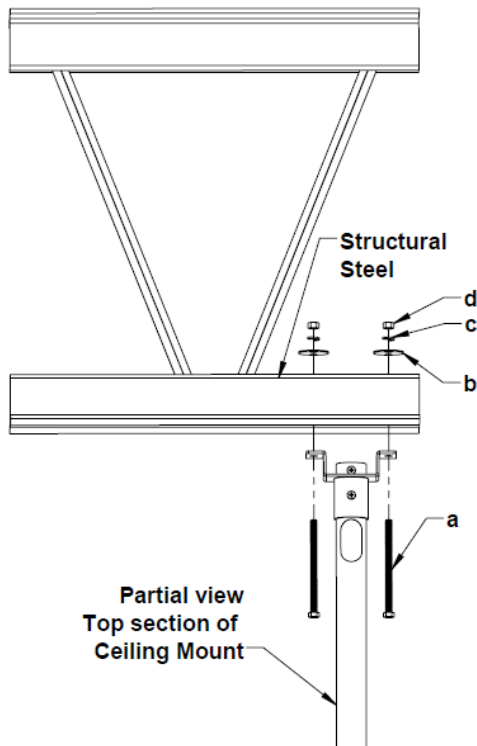


INSTALL CEILING MOUNT BRACKET TO TOP TUBE

- Slide part "A" over part "B" to expose thru hole at end of tube "B". See Fig. 1.
- Insert screw "e" thru tube "B" and thread nut "g" on screw.
- Tighten screw "f" to lock rotation of tube in place.
- Mount Top Assembly with Top tube per chosen option using **Hardware Kit #1**.
- Route Tether and cables through Cable Entry in Top Tube.

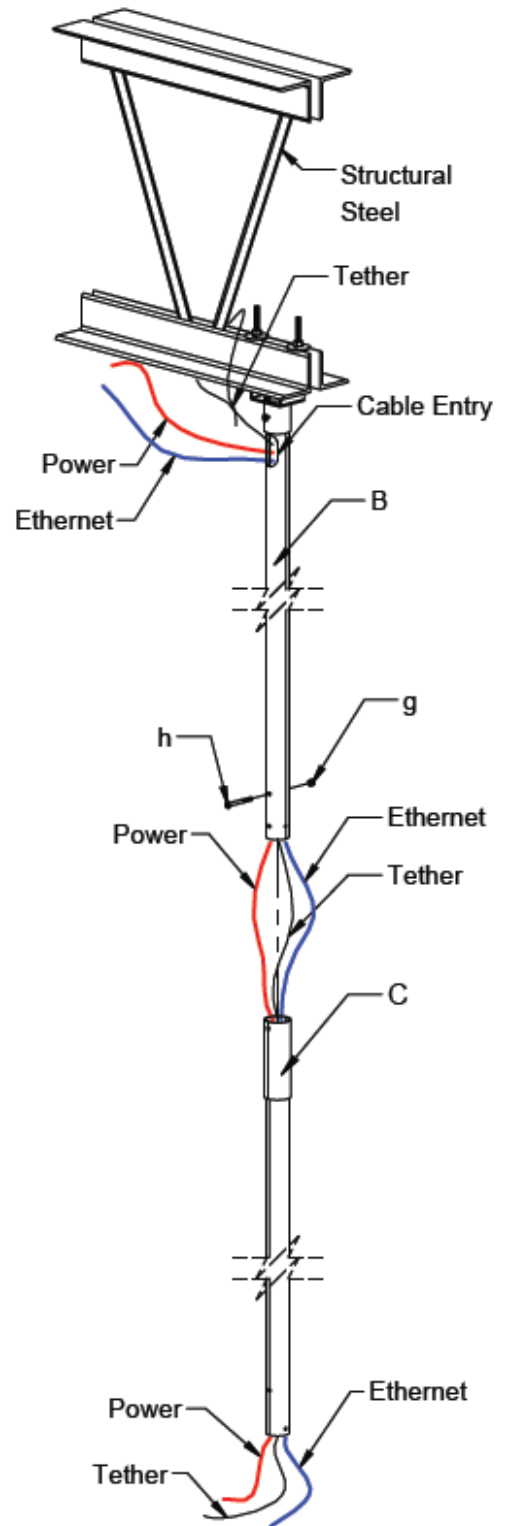


NOTE: A MINIMUM OF 8 FOOT OF TETHER AND CABLES SHOULD EXTEND BEYOND THE BOTTOM OF TOP TUBE.



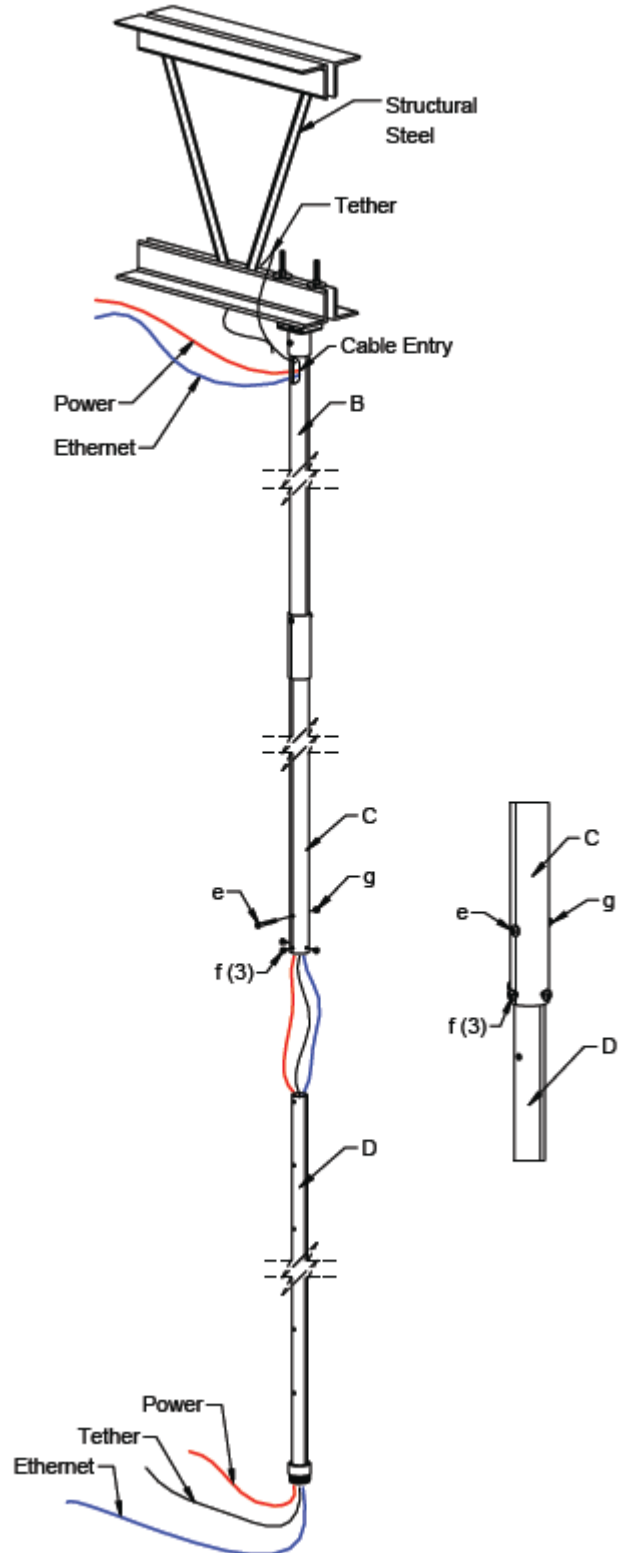
INSTALL EXTENSION TUBE

- Route extended Tether and Cables through Extension Tube "C" starting with the larger diameter end.
- Complete connection by inserting Screw "h" through Extension Tube "C" and Top tube "B". Thread Lock Nut "g" on Screw "h".
- Pull cables to extend beyond the end of the Extension Tube. Make sure there is enough cable to thread through the Telescoping Tube "D".



INSTALL TELESCOPING TUBE

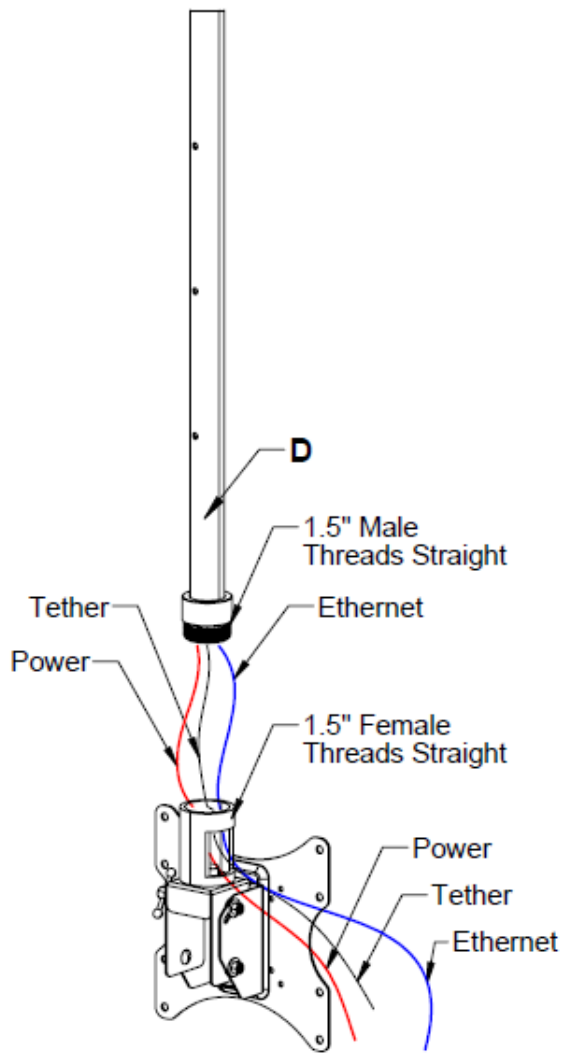
- Route extended Tether and Cables through Telescoping Tube "D".
- Slide Telescoping Tube, "D" into Extension Tube "C" until bolt holes align at desired height. Install Screw "e" through bolt holes and thread Lock Nut "g" on Screw "e".
- Extend Tether and Cables as needed to have approximately 18" extending beyond the Telescoping Tube.
- Install 3 wedging Screws "f" to prevent wobble and align tubes vertically.
- Secure Tether at the top of mount by wrapping around the structural steel. Use the cable clips included in the Tether package to secure the Tether.



INSTALL MONITOR MOUNT

NOTE: THE MONITOR MOUNT IS NOT INCLUDED WITH THE CM-XL2-21.

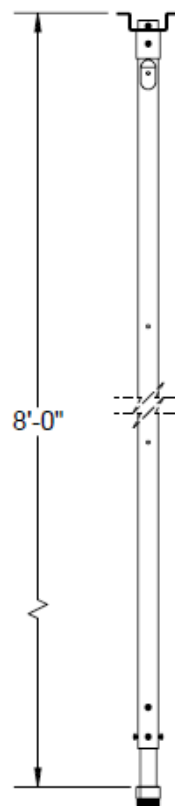
- Route extended Tether and Cables through monitor mount as shown.
- Thread Mount onto Telescoping Tube.
- Secure Tether to monitor mount by wrapping around mount and installing cable clip provided with Tether. **Remove all slack in Tether!** In this case the eye of the Tether will not be used.



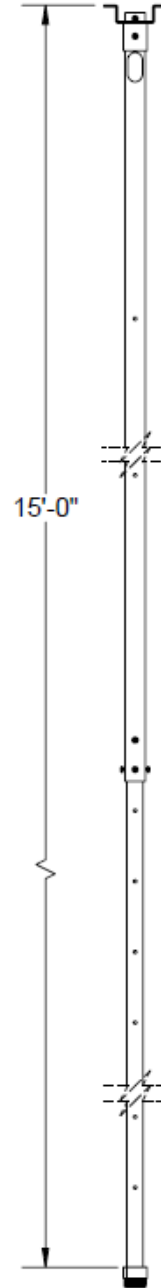
OVERALL LENGTH OPTIONS

NOTE: EXTENSION TUBE "C" IS NOT USED FOR FINISHED LENGTHS BETWEEN 8' AND 15"

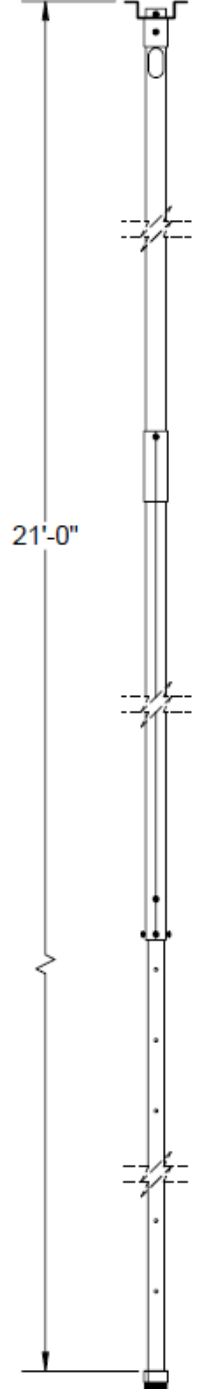
No Extension
Shortest
Configuration



No Extension
Longest
Configuration



Longest
Configuration
with Extension



FIELD MODIFICATION

If less than 8' height is needed, the following modifications can be made in the field.

- Find part "B" and cut 25.5" off the top end. The top end is identified by one 1/4" dia. Thru hole with an oval shaped cable entry hole. The cabling will route through the top of the tube.
- Find part "D" and cut 24" off the end without the threaded adapter.

