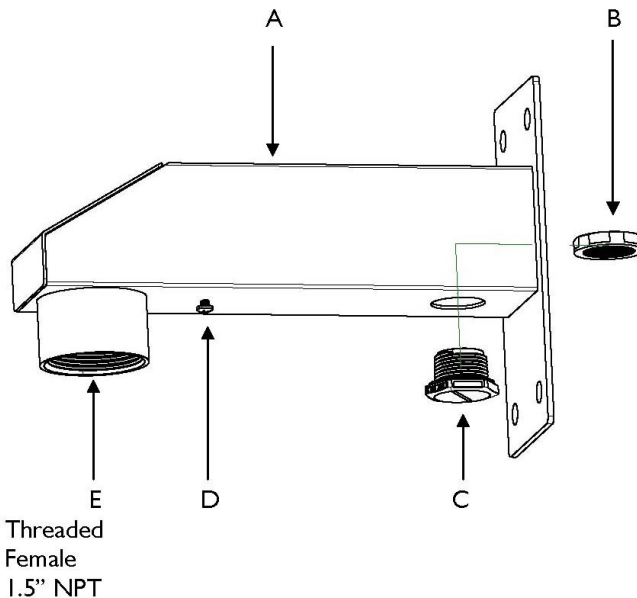


HM4200 Stainless Steel Wall Mount Assembly

For use with MGHEP

Supplied Parts

- A. Wall Mount Assembly
- B. Nut 3/4" NPT (1)
- C. Plug 3/4" NPT (1)
- D. Screw, #8-32x.375 Stainless Steel (1)
- E. Threaded Female 1.5" NPT

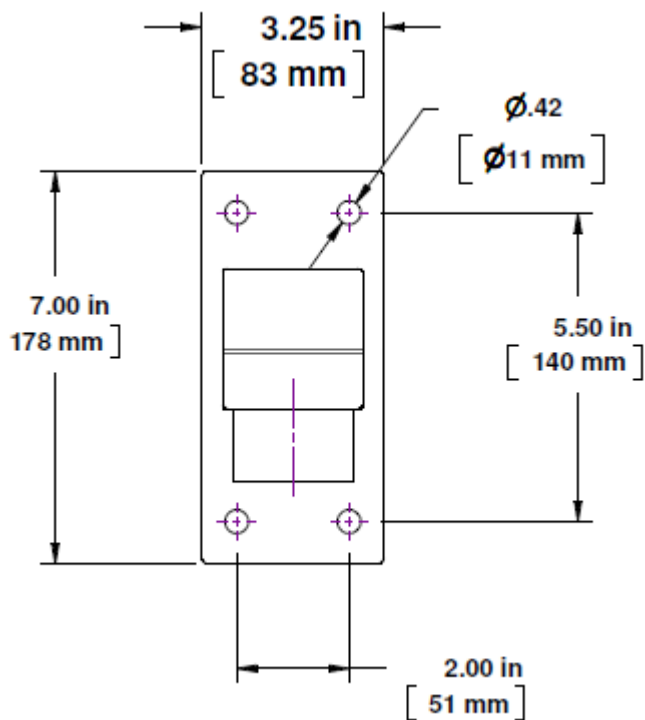


Required Tools

- I. Screwdriver for screw

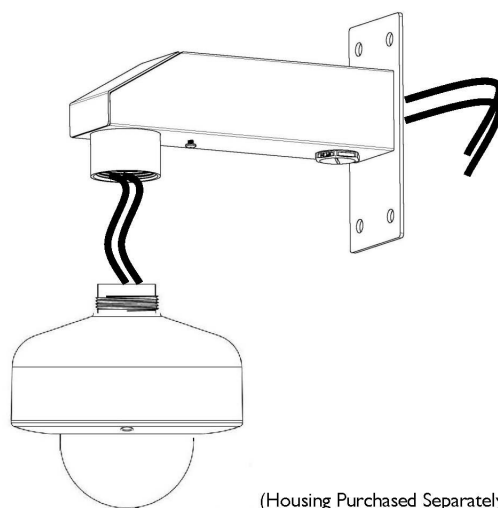
STEP 1

Carefully unpack box, inspect contents for damage and verify that all components are included. Attach the mount to the wall or mounting surface using four (4) appropriate fasteners (**not supplied**).



STEP 2

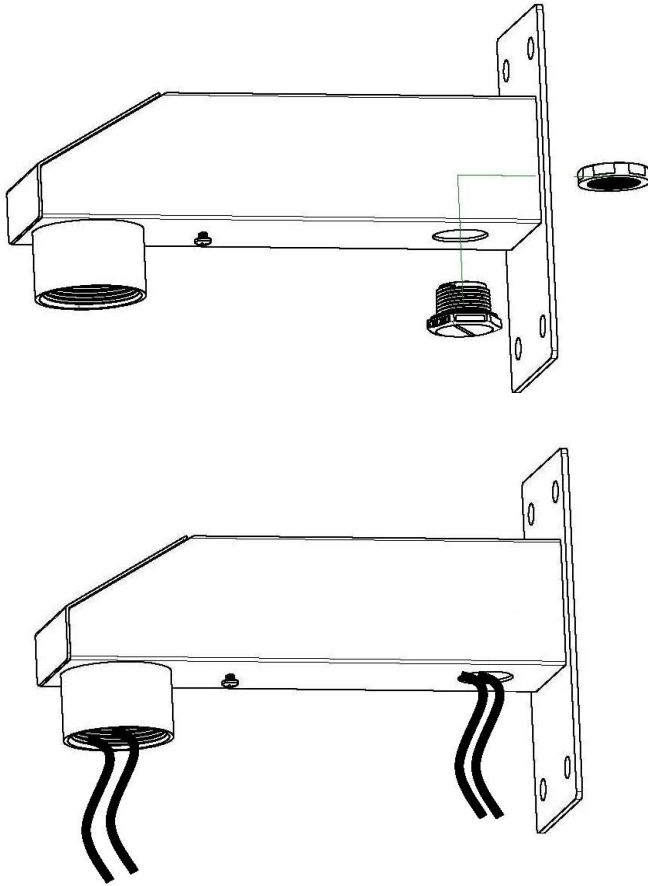
Route power and video leads through mount by pulling enough to reach into the housing. Attach MGHEP housing (Purchased Separately). Refer to MGHEP housing instructions to complete the installation.



INSTALLATION INSTRUCTIONS

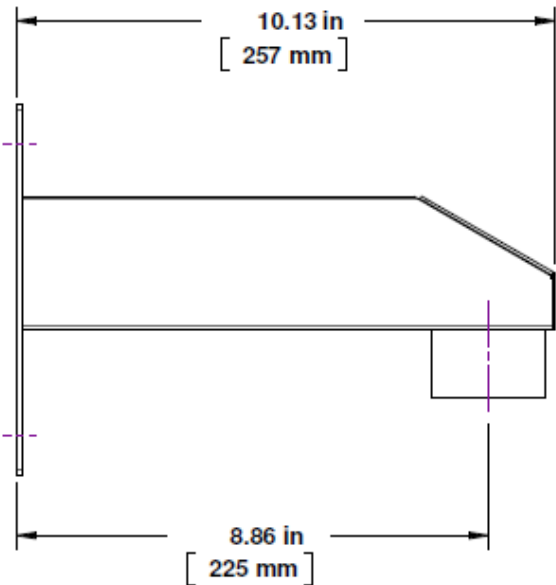
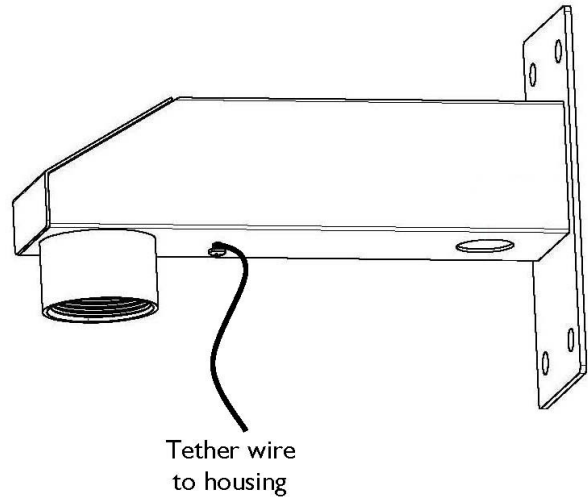
STEP 3 (Optional)

Loosen and remove the 3/4" nut and 3/4" liquid tight plug. Route power and video leads through mount and the additional opening on the mount.



STEP 4 (Optional)

Secure a housing (that may have a tether to be attached) to the mount. Secure the tether to the mount by attaching the tether to the screw on the mount.



Unless otherwise noted, all products are covered by Wren's Standard Limited Manufacturer's Warranty as set forth in the current version of Wren's Terms and Conditions.

For a copy of the Terms and Conditions please visit our website at www.wrensolutions.com.