

INSTALL INSTRUCTIONS

MGDP2 for Axis M32xx, P330x, P33xx



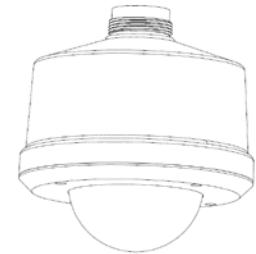
The Power to See
Your Business™

APPLICABLE HOUSINGS

- MGDP2-CGAXFX1D
- MGDP2-CBAXFX1D
- MGDP2-CGAXFX1DH
- MGDP2-CBAXFX1DH

ACCOMMODATING CAMERA MODELS

- Axis 216, 216M
- Axis M3202, M3204
- Axis P3301, P3304,
- Axis P3343, P3344, P3353, P3354, P3363, P3364.



MGDP

Fixed Camera Mount

DESCRIPTION

The detention grade MiniGlobe Pendant (MGDP2) provides an extremely durable, integrated solution for indoor and outdoor security applications.

SUGGESTED INSTALLATION EQUIPMENT

- Small Flat Head Screwdriver
- #2 Phillips Screwdriver
- Pipe Thread Sealant

COMPONENT LIST [Figure 1]

- A. Pendant Housing
- B. Camera Bracket (*with or without HB*)
- C. Axis Camera (*not included*)
- D. Machine Screw, Pan Head #8 (2) (*use with camera models P3343, P3344, P3354, P3363, P3364, P3384*)
- E. Dome and Trim Ring Assembly
- F. Tamper-Resistant Screws (4)
- G. Foam Plug (*not shown*)
- H. Hex Key (*not shown*)
- I. Hardware Pack (2 retaining spacers, 2 Machine Screws, Pan Head) (*use with camera models Axis 216, 216M, P3202, P3203, P3301, P3304*)

WARNINGS AND SAFEGUARDS

Prior to installation and use of this product, please observe the following warnings:

1. Installation and servicing should be done by qualified personnel, and all work done should conform to local codes.
2. Using replacement parts or accessories other than Wren may invalidate the warranty.
3. Make sure that the installation method is capable of supporting three (3) times the weight of the MGDP2 housing and enclosed contents.
4. For outdoor installations, especially those on rough vertical surfaces, additional sealing methods may be required to prevent moisture from entering the housing.

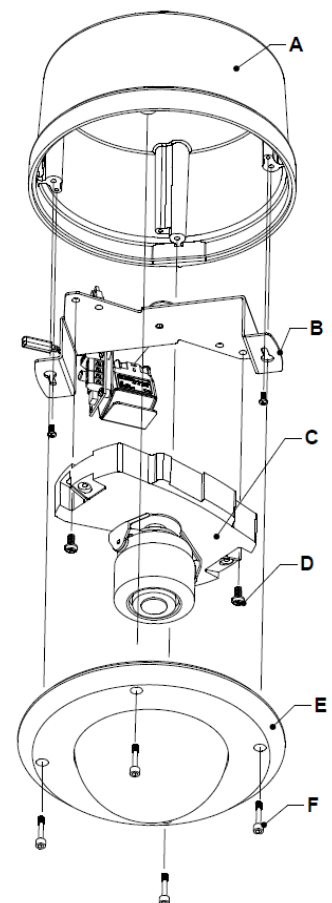


Figure 1

PREPARATION

1. Carefully unpack box and verify that all components listed in the component list are included.
2. Establish desired location for unit.
3. Remove dome assembly and set aside carefully to ensure it does not become scratched.
4. Run appropriate wiring:
 - Ethernet (CAT5, to camera)
 - 18-2 cable (Used with heater/blower-equipped units only, Power supply used should be capable of supplying 24VAC, 1.5 amps)

INSTALLATION (Housing)

1. Remove the foam plug from the Pendant Housing (located inside 1.5" NPT threaded neck).
2. Run cabling through the threaded neck of the Pendant Housing.
3. Apply pipe thread sealant (not included) to the 1.5" NPT threads of the housing.
4. Screw the housing into the mount point (Wren HM3400 wall mount shown in Figure 2 for illustration purposes).
5. Replace the Foam Plug in Pendant Housing neck. Slide cabling into slot in Foam Plug and insert Foam Plug from inside the Pendant Housing.

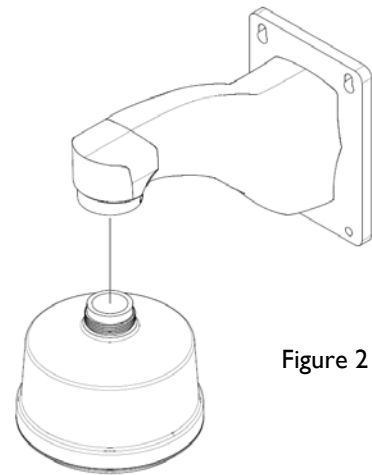


Figure 2

INSTALLATION (Camera)

1. Install Camera on Camera mounting bracket (B) See Figure 4 to determine mounting pattern.

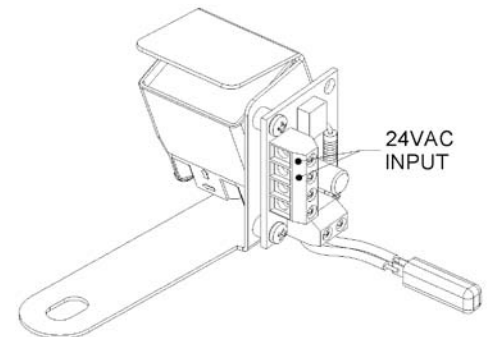


Figure 3

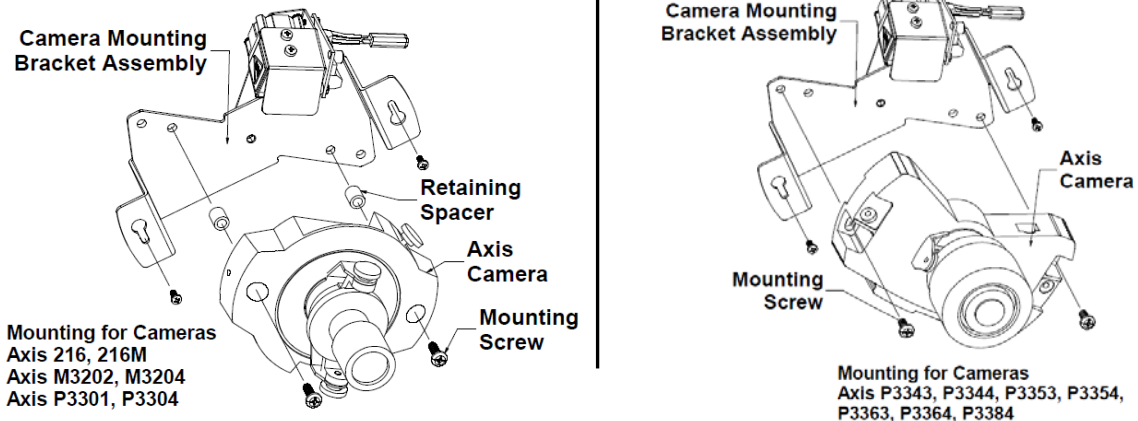


Figure 4

2. If heater and blower are included, connect 18-2 cable to the terminal block labeled INPUT (see Figure 3).
3. Attach Ethernet RJ45 cable to the camera.
4. Mount the Camera with Camera Bracket Assembly into the housing (see Figure 1),
5. Make necessary adjustments to the lens (see camera instructions for details).
6. Position liner so that the opening is lined up with the camera view.
7. Attach the dome assembly to the base housing by tightening the four (4) hex screws using the included hex wrench.

TROUBLESHOOTING

1. If there is no video signal refer to the Camera instruction sheet for trouble shooting information.

MECHANICAL PROPERTIES

- Upper unit: Cast Aluminum
- Lower unit: Polycarbonate in Cast Aluminum trim ring
- Unit weight: 3.0 lbs without camera
- Shipping weight: 3.7 lbs without camera

ELECTRICAL PROPERTIES

- Power Supply, Housing: 24V AC
- Power Supply, Camera: See Camera manufacturer specifications
- Power Consumption: 20W

ENVIRONMENT

- Indoor or Outdoor

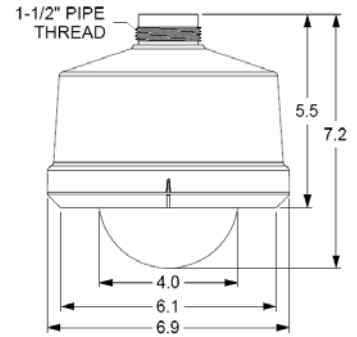
WREN LIMITED MANUFACTURER'S WARRANTY

Unless otherwise noted, all products are covered by Wren's Standard Limited Manufacturer's Warranty as set forth in the current version of Wren's Terms and Conditions. For a copy of the Terms and Conditions please use the contact information below.

RETURNS

In order to return parts to the factory for repair or credit, please call the factory at (800) 881-2249 or (573) 893-2249 to obtain a Return Authorization (RA) number. All returns are subject to Wren's RA Policy. Goods returned for credit should be in their original condition—new and unused. Merchandise may be returned by the Customer for credit within 30 calendar days from the invoice date. Products may not be returned more than 31 calendar days from the invoice date. Custom, special order and OEM products may not be returned.

Wren®, the Wren logo, The Power to See Your Business, Wren IP Solutions, No Tools Required and Solution Set Series are trademarks of Wren. The trademarks that are followed by ® are registered trademarks in the U.S. All other trademarks and/or registered trademarks mentioned herein are properties of their respective owners and are used for reference purposes only. The use of these trademarks does not indicate any affiliation with or sponsorship of or by Wren. ©2006 Wren. All rights reserved.



Dimensions (in inches)