

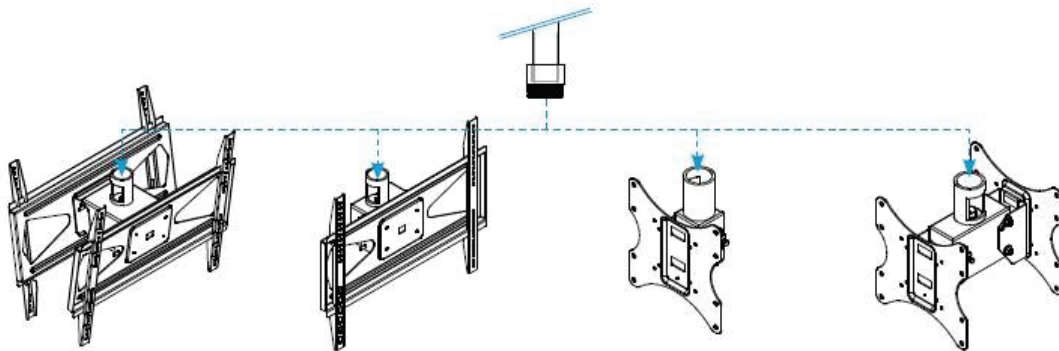
# MONITOR CEILING MOUNTS

## LARGE FORMAT

### FEATURES

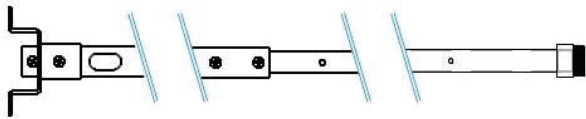
- Heavy-Duty Monitor Mounts
- Telescoping Pole Adjustable in 6" Increments
- Modular Accessory Approach for Monitor Mounting
- Fixed Mechanical Connections for Secure Installation

### MOUNTS



MOUNTS	MMB0601	MMB0602	MMB0603	MMB0604
<b>TYPE</b>	<b>BACK-TO-BACK</b>	<b>SINGLE</b>	<b>SINGLE</b>	<b>BACK-TO-BACK</b>
VESA Pattern	400 x 400		75 x 75, 100 x 100, 200 x 200	
Material	Powder-coated steel with black finish with 1.5" NPT fitting			
Maximum Load	110 lbs	99 lbs	99 lbs	110 lbs
Mount Weight	19.3 lbs	10.1 lbs	4.4 lbs	7.8 lbs
Environment	Indoors	Indoors	Indoors	Indoors

**POLES (SOLD SEPARATELY)**



POLES	CM-XL-5-W	CM-XL-11-W	CM-XL-2-21-W
Pole Length	2' - 5.5'	6' - 11'	10' - 21'
Material	Powder-coated steel with white finish with 1.5" NPT fitting		
Pole Weight	12.5 lbs	22 lbs	34 lbs
Environment	Indoors	Indoors	Indoors

**ACCESSORIES**

**DCSP-CMXL** Drop Ceiling Support Plate, for CM-XL Poles