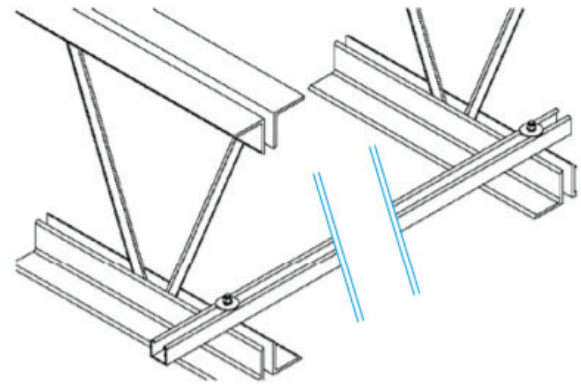


MOUNTS

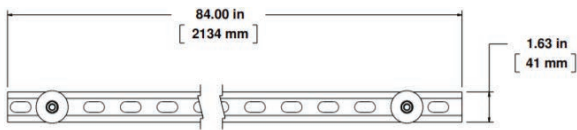
UNISTRUT BRACE KIT

FEATURES

- Span Between Trusses for Precise Mounting Location of Cameras, PVM's and Other Equipment
- Slotted Channel Provides a Multitude of Different Mounting Applications
- Easy to Install and Service
- Installation Hardware Included



DIMENSIONS



MODEL NUMBER	CS-7
PRODUCT NAME	Indoor or Outdoor
Material	Carbon Steel, 12 Gauge Thickness
Finish	Powder Coated, White
Weight	15.0 lbs (6.8 kg)
Maximum Beam Loading	197.0 lbs (89.3 kg)
Channel Size	1 5/8" x 1 5/8" (41.27 mm x 41.27 mm)
Channel Style	Slotted*

*SLOT SIZE + CENTER TO CENTER DISTANCE MAY BE ON DIMENSIONED VIEW