

# COSMETICS GONDOLA ePVM MOUNT INSTALLATION INSTRUCTIONS Model# MM-PVM08CWA-W



The Power to See  
Your Business<sup>SM</sup>

## Cosmetics Mounting

- Insert 18" Cosmetics Extender (provided by Wal-mart) into top of Gondola Upright. See Fig. 1.
- Insert tab of Assembled Mount into fourth slot from the top of Gondola Upright. See Fig. 2.
- Tilt Assembled Mount up allowing tab to slide into the slot. See Fig. 3.
- Fasten Assembled Mount to Gondola Upright using (1) 5/16-18 Hex Head Bolt. See Fig. 4.

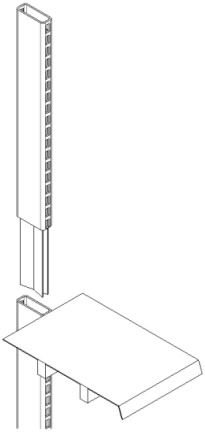


Fig. 1. Extender to Gondola

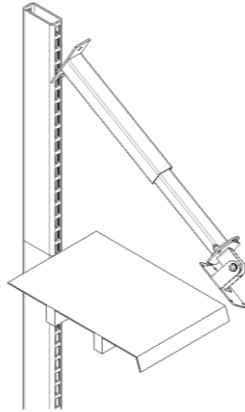


Fig. 2. Tab to Gondola

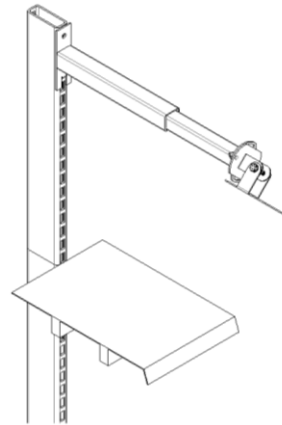


Fig. 3. Tilt Mount

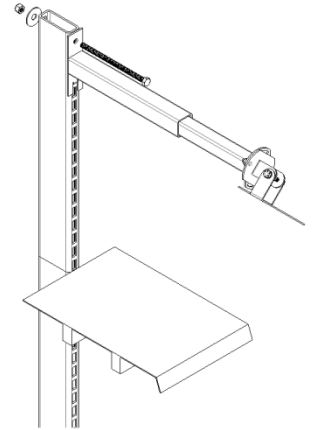


Fig. 4. Mount to Gondola

# Monitor Mounting

- Attach the ePVM to the VESA plate using (4) M4 screws. See Fig. 5.
- Determine which direction the monitor will face (Left or Right).
- Once the direction is determined and positioned accordingly tighten the 1/4-20 Lock Nut to ensure it doesn't move.
- Tilt angle may be adjusted by loosening (2) #10-32 Lock Nuts and pivoting inside the slots of the mounting arm.
- Once desired angle is determined simply tighten the (2) #10-32 Lock Nuts.

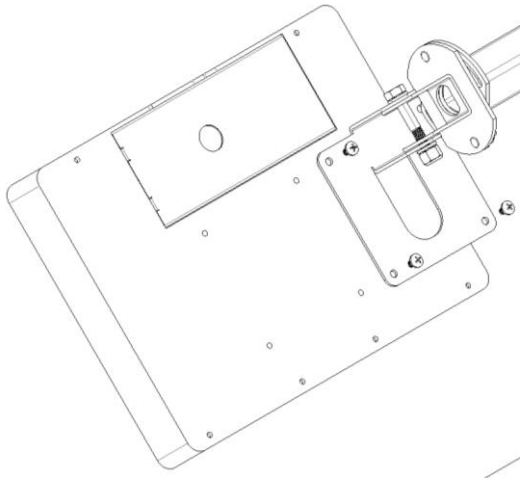


Fig. 5. ePVM to the VESA plate

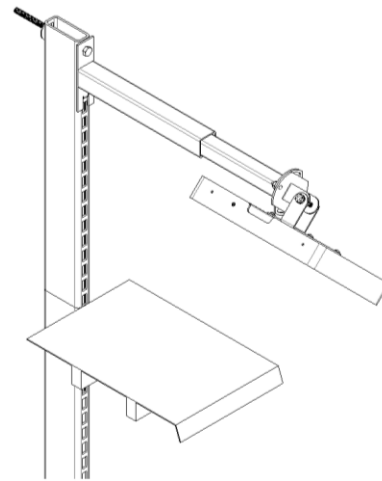


Fig. 6. Complete Install

## Route ethernet cable through mount.

See "Quick Start Guide" included with ePVM.