

MM-PVM07SCO-W

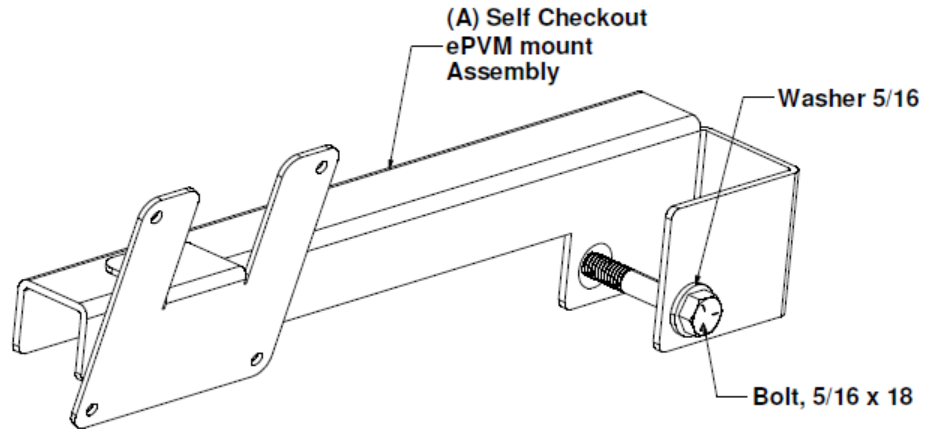
Supplied Parts

A. Assembly ePVM mount

- 5/16 x 18 Bolt—1
- 5/16 Flat Washer—1
- Screw, 8-32 x 5/16

B. Hardware Kit#1

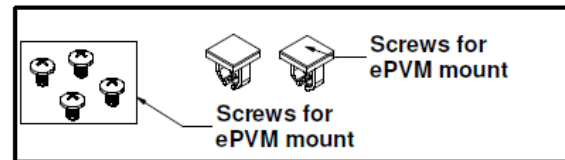
- M4 Fasteners—4
- Cable Clips—2



Required Tools

1. #2 Phillips Driver
2. Adjustable Wrench

(B) 400A563G01 Hardware Kit #1



STEP 2

Remove adhesive cover on Cable Clips and adhere each to the under side of ePVM mount. See Fig. 1 and Fig. 2

Fig. 1

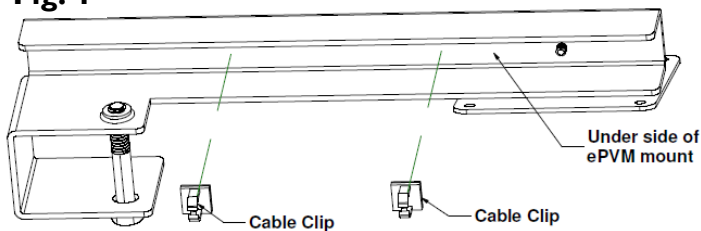
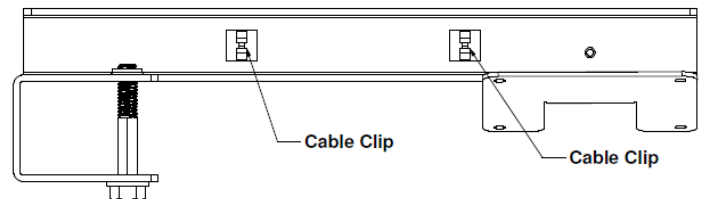


Fig. 2



STEP 3

1. Remove Access door from ePVM.
2. Complete ethernet connection to ePVM.
3. Replace ePVM access door.

SEE “Quick Start Guide” included with ePVM.

INSTALLATION INSTRUCTIONS

STEP 4— Install VESA Plate on ePVM

1. Install mount with VESA Plate on ePVM.
See Fig. 1
2. Install assembly on SCO Light Pole.
See Fig 2 & 3.

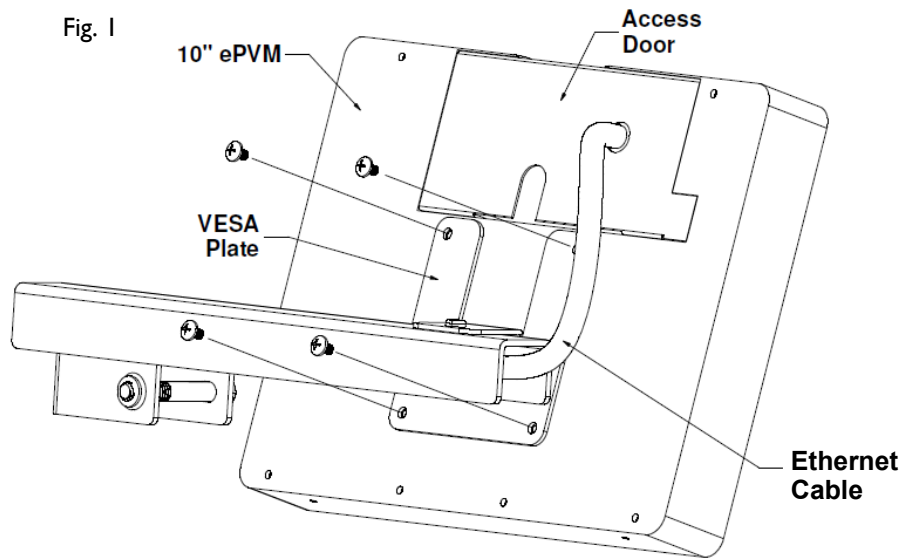


Fig. 2

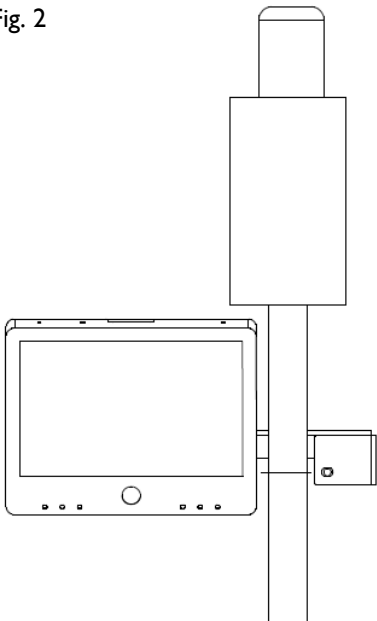
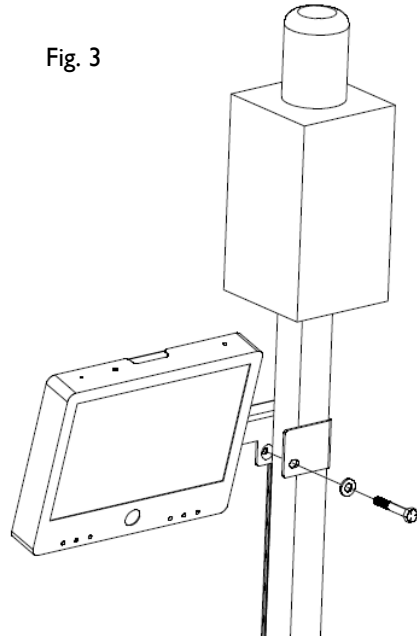


Fig. 3



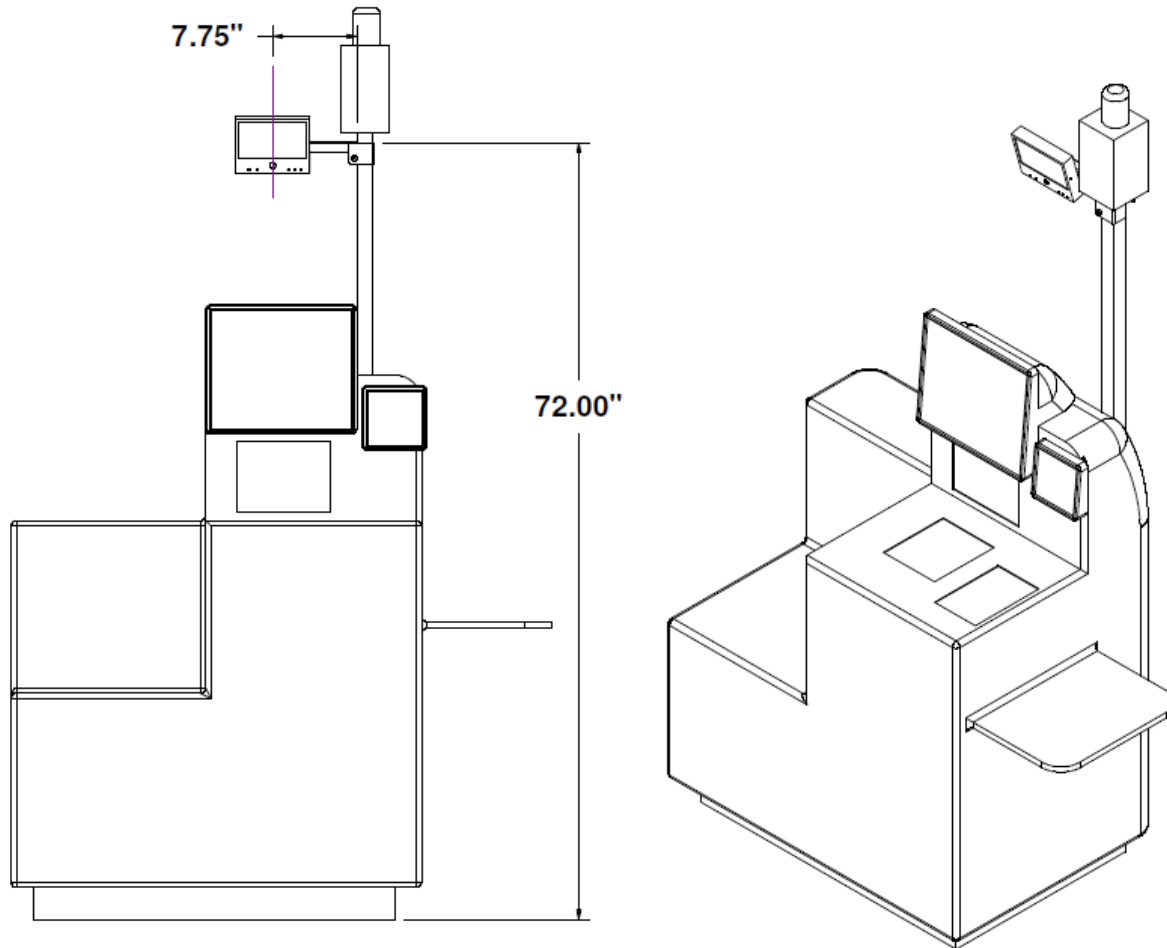
Unless otherwise noted, all products are covered by Wren's Standard Limited Manufacturer's Warranty as set forth in the current version of Wren's Terms and Conditions.

For a copy of the Terms and Conditions please visit our website at www.wrensolutions.com.

INSTALLATION INSTRUCTIONS

STEP 5

Adjust the height of the mount per the specifications below.



Unless otherwise noted, all products are covered by Wren's Standard Limited Manufacturer's Warranty as set forth in the current version of Wren's Terms and Conditions.

For a copy of the Terms and Conditions please visit our website at www.wrensolutions.com.



124 Wren Parkway - Jefferson City, MO 65109 - (800) 881-2409 - www.wrensolutions.com

Wren®, the Wren logo, and The Power to See Your Business are trademarks of Wren. The trademarks that are followed by ® are registered trademarks in the U.S. All other trademarks and/or registered trademarks mentioned herein are properties of their respective owners and are for reference purposes only. The use of such third party trademarks does not indicate any affiliation with or sponsorship of or by Wren. Copyright © 2015 Wren. All rights reserved.