

**INSTRUCTIONS TO MOUNT, ASSEMBLE, WIRE & INSTALL
THE 12VDC MGW4 WALL-MOUNTED MINIGLOBE UNIT**

MECHANICAL PROPERTIES

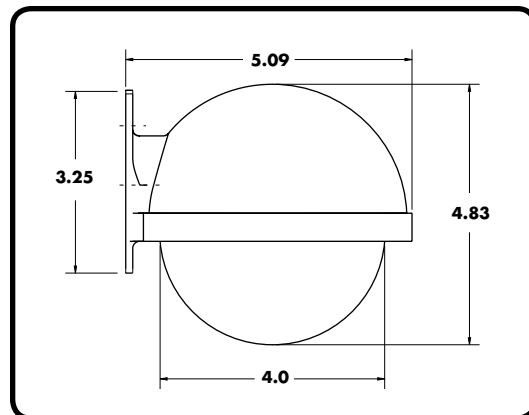
Upper unit	ABS
Lower unit	Polycarbonate
Hardware	Steel construction with black powder-coat finish
Unit weight	0.46 lbs without camera / 0.72 lbs with camera
Shipping weight	0.82 lbs without camera / 1.02 lbs with camera

ELECTRICAL PROPERTIES

Input voltage	12VDC +/- 10%
Power consumption	1.6 - 3.6 Watts (depending on camera selected)
Video connection	BNC

ENVIRONMENT

Indoor



DIMENSIONS

(All Dimensions Are in Inches)

All Products Are Subject to the Current Version of Wren Terms and Conditions

WREN LIMITED MANUFACTURER'S WARRANTY

Unless otherwise noted, all products are covered by Wren's Standard Limited Manufacturer's Warranty as set forth in the current version of Wren's Terms and Conditions. For a copy of the Terms and Conditions please use the contact information below.

RETURNS

In order to return parts to the factory for repair or credit, please call the factory at (800) 881-2249 or (573) 893-2249 to obtain a Return Authorization (RA) number. All returns are subject to Wren's RA Policy. Goods returned for credit should be in their original condition—new and unused. Merchandise may be returned by the Customer for credit within 30 calendar days from the invoice date. Products may not be returned more than 31 calendar days from the invoice date. Custom, special order and OEM products may not be returned.

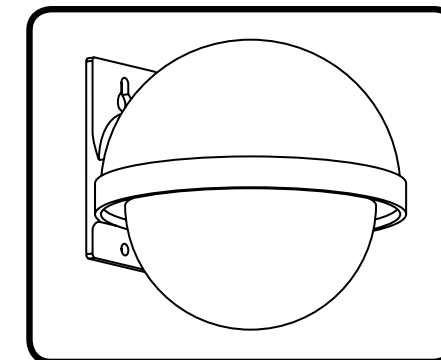


Wren, 124 Wren Parkway, Jefferson City, MO 65109 USA
telephone (573) 893-2249 ■ toll-free (800) 881-2249 ■ facsimile (877) 893-2317
solutions@wrenassociates.com ■ www.wrenassociates.com

Wren®, the Wren logo, The Power to See Your Business, Wren IP Solutions, No Tools Required and Solution Set Series are trademarks of Wren. The trademarks that are followed by ® are registered trademarks in the U.S. All other trademarks and/or registered trademarks mentioned herein are properties of their respective owners and are used for reference purposes only. The use of these trademarks does not indicate any affiliation with or sponsorship of or by Wren. ©2008 Wren. All rights reserved.

Wren 7L184 rev-c (01/28/08)

**INSTRUCTIONS TO MOUNT, ASSEMBLE, WIRE & INSTALL
THE 12VDC MGW4 WALL-MOUNTED MINIGLOBE UNIT**



INDOOR HOUSINGS:

MGW4

WALL-MOUNTED MINIGLOBE UNIT

12VDC MODEL

DESCRIPTION

The MiniGlobe (MGW4) is an integrated solution including a high-quality camera, lens and housing. Like all Wren products, it is designed for quick and simple installation and utilizes our trademarked "NoTools Required" feature for camera positioning.

SUGGESTED INSTALLATION EQUIPMENT



- Slip-joint pliers
- #1 Phillips-head screwdriver
- Standard Phillips-head screwdriver

COMPONENT LIST [FIGURE 1]

- (A) Upper Housing (includes mounting bracket)
- (B) #8x3/4" Pan-Head Sheet-Metal Screws (2)
- (C) Hanger Bracket
- (D) Camera Assembly
- (E) Butt Connectors (2)
- (F) Power Lead Extension
- (G) Y-Connector (for power and video feed to camera)
- (H) Dome Assembly

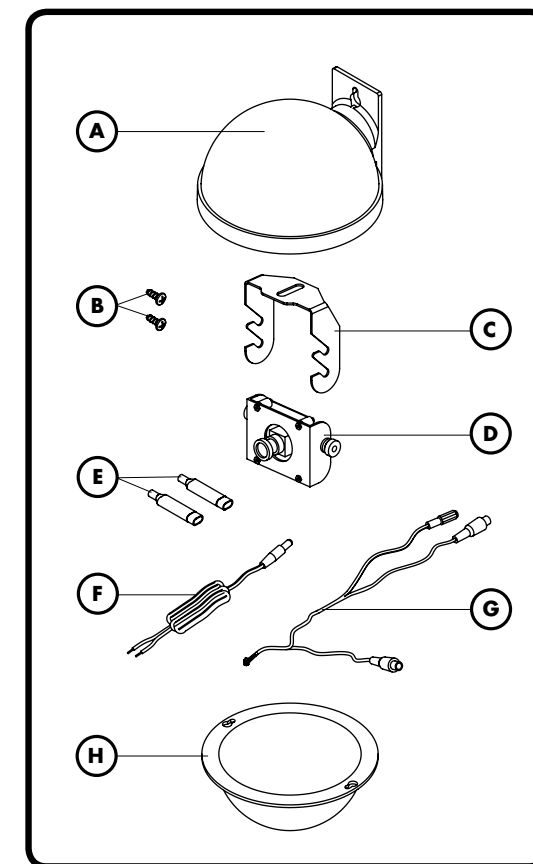


FIGURE 1

**INSTRUCTIONS TO MOUNT, ASSEMBLE, WIRE & INSTALL
THE 12VDC MGW4 WALL-MOUNTED MINIGLOBE UNIT**

WARNINGS AND SAFEGUARDS

Prior to installation and use of this product, please observe the following warnings

1. Installation and servicing should be done by qualified personnel, and all work done should conform to local codes.
2. Using replacement parts or accessories other than Wren may invalidate the warranty.
3. This unit is designed to operate on 12VDC power only. Do not bring any other voltages into the housing.
4. Make sure that the installation method is capable of supporting three (3) times the weight of the MGW4 housing and enclosed contents. (See *Mechanical Properties on back page.*)

PREPARATION

1. Carefully unpack box and verify that all components listed are included [**FIGURE 1**].
2. Remove the dome assembly from the upper housing by loosening the two (2) 4 - 40 x 3/8" Phillips-head screws with a #1 Phillips screwdriver. Turn dome assembly counter-clockwise and set aside, making sure that dome does not become scratched or damaged.
3. Remove the camera assembly from the hanger bracket by hand loosening the knurled knobs and sliding the camera out (**do not remove knobs**). Carefully, place camera aside.
4. Run power and video leads to desired location and through access hole.

NOTE: Power must be from a 12VDC regulated power source. (See *Master Power Supply Instructions for wiring/installation instructions of Master Power Supply.*)

5. Connect 12VDC power from power supply to flying leads of Power Lead Extension (*included*) by crimping supplied Butt Connectors.

NOTE: Make sure the polarity is observed or the camera will not work.
(+) terminal = wire with stripe
(-) terminal = solid wire

TIP: To use Butt Connectors, twist the leads together, place joined leads into wide end of connector, crimp with pliers. [**FIGURE 2**]

6. Attach BNC and power leads to Y-connector.
7. Feed excess wiring back into post or wall, leaving approximately 4" of the Y-connector exposed. [**FIGURE 3**]

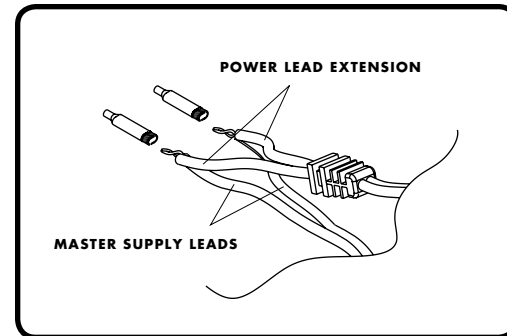


FIGURE 2

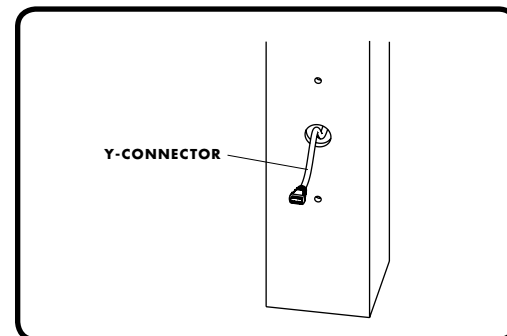


FIGURE 3

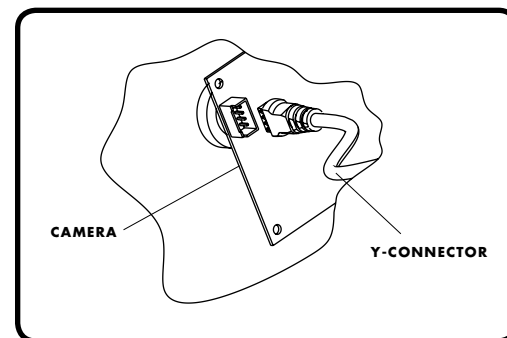


FIGURE 4

**INSTRUCTIONS TO MOUNT, ASSEMBLE, WIRE & INSTALL
THE 12VDC MGW4 WALL-MOUNTED MINIGLOBE UNIT**

INSTALLATION

1. Install #8x3/4" Phillips-head screw in upper hole and leave approximately 9/64" gap between screw head and wall or vertical surface.

TIP: Use the mounting plate of the upper housing as a template to mark mounting holes.

2. Feed exposed Y-connector camera plug through mounting plate in upper housing and install upper housing keyhole slot over upper screw. Install #8x3/4" screw into lower hole. Tighten both screws now, but **DO NOT OVER-TIGHTEN**.

3. Attach the Y-connector camera plug to the camera. [**FIGURE 4**]

NOTE: Camera plug is keyed and will only attach to camera one way, do not force plug to camera or damage may occur.

4. Place camera into hanger bracket. Make final pan and tilt adjustments and hand tighten knurled knobs to secure. [**FIGURE 5**]

5. Make any necessary adjustments to the lens by hand turning the lens. On the varifocal lens loosen the lens locking screws, adjust focal length desired and focus camera, retighten the lens locking screws. [**FIGURE 5**]

NOTE: Fixed lenses are set at the factory and should only need adjustment in rare cases.

6. Attach the dome assembly by positioning the keyhole slots on dome lip over the two (2) 4 - 40x3/8" screws in the upper housing and twisting clockwise. Tighten screws with #1 Phillips screwdriver, but **DO NOT OVER-TIGHTEN**.

TROUBLESHOOTING

If there is no video signal, check the following:

1. Verify proper voltage requirements at the following points:

- Master power supply box
- Home run supply to Power Lead Extension

2. Check to make sure camera site is receiving 10-14VDC power at the barrel plug by placing one end of voltmeter test probe into positive (+) center post and the other probe on the negative (-) side post to obtain voltage reading.

TIP: Make sure the polarity is observed or the camera will not work.

(+) terminal = wire with stripe
(-) terminal = solid wire

3. Check BNC connector for proper termination and continuity.
4. Wren Technical Support is available from 8am to 5pm CST Mon-Fri at 1 800 881-2249.

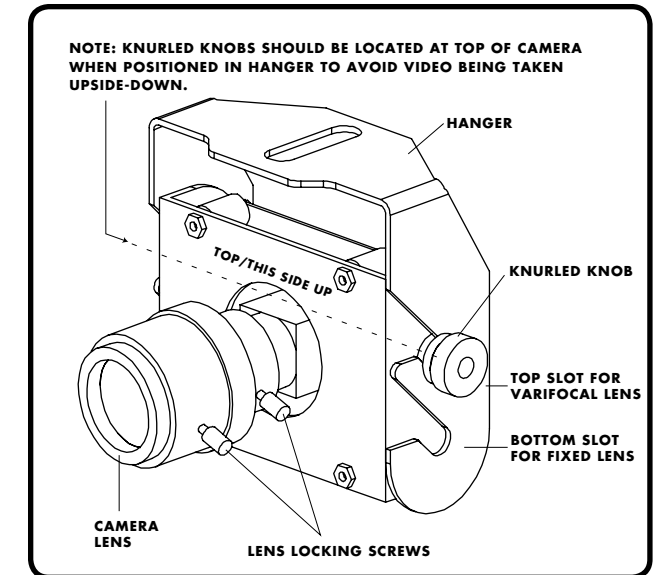


FIGURE 5