

MGR4 MiniGlobe, Recessed Mount Instructions



The Power to See
Your Business™

DESCRIPTION

The MGR4 MiniGlobe is an integrated solution including a high-quality camera, lens and housing with stand-off adapter. Housing is designed for installation recessed into ceiling. Like all Wren products, it is designed for quick and simple installation.

MODELS

Models are available with white or black trim rings; bronze, clear, or mirrored domes; fixed, varifocal, and/or auto-iris lenses; and other features. Consult factory for options.

SUGGESTED INSTALLATION EQUIPMENT

- Slip-joint pliers
- Box knife
- Standard Phillips-head screwdriver

COMPONENT LIST [Figure 1]

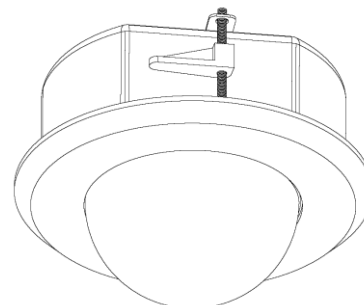
- A. Support Plate (optional)
- B. Ceiling Tile (not included)
- C. Upper Housing
- D. Hanger Bracket
- E. Wave Washer
- F. Bracket Screw
- G. Camera Assembly
- H. Dome and Trim Ring Assembly
- I. Butt Connectors (2)
- J. Power Connection Lead
- K. Power Extension Lead
- L. Video Connection Lead

NOTE: Certain camera models are shipped with a power connection lead with flying leads that connect directly to the wire run from the master power supply. A power extension lead is not included in these models. In addition, the video lead may differ slightly from that shown.

IMPORTANT SAFETY INSTRUCTIONS

Prior to installation and use of this product, please observe the following warnings:

1. This installation should be made by a qualified service person and should conform to all local codes
2. Use only a Class 2 power supply of the required output rating as listed on individual units and specified in the power requirements.
3. Using replacement parts or accessories other than Wren may invalidate the warranty.
4. Make sure that the installation method is capable of supporting three (3) times the weight of the MG1 housing and enclosed contents.



INDOOR HOUSINGS:

MGR4

MINIGLOBE, RECESSED MOUNT

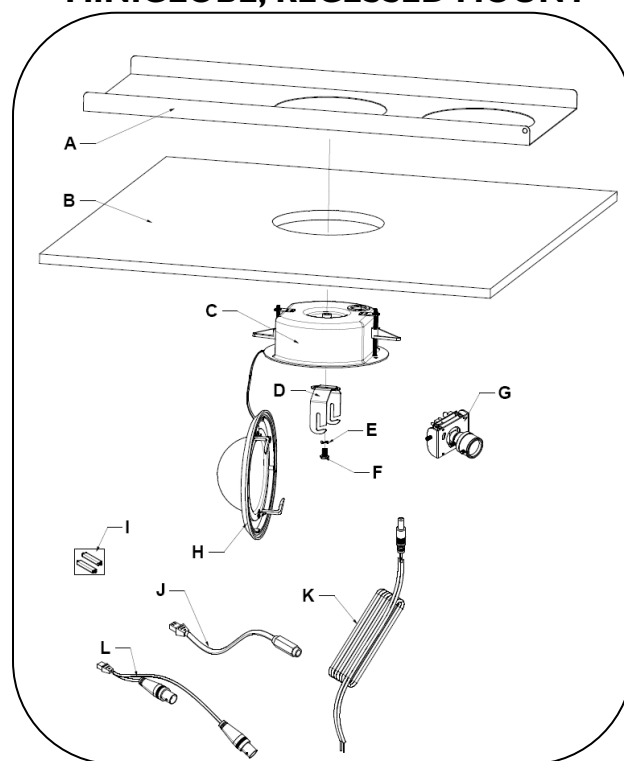


FIGURE 1

PREPARATION

1. Carefully unpack box and verify that all components listed are included. [FIGURE 1]
2. Remove the dome assembly and trim ring from the upper housing by turning dome assembly counter-clockwise. Make sure that dome does not become scratched or damaged.
3. Remove the camera assembly from the hanger bracket by hand loosening the knurled knobs and sliding the camera out (*do not remove knobs*). Carefully, place camera aside.
4. Remove ceiling tile (if applicable) from desired mounting location and use the support plate (if available) as a template to mark the hole. Note! *The support plates with two holes are designed for use with a single housing in one of two mounting locations.*
 - A) Position the support on ceiling tile to determine desired mounting location.
 - B) Use the support as a template to cut one 5-13/16" diameter hole in ceiling tile.
5. Run power and video leads to desired location.

WARNING

Power must be from a 24VAC or 12VDC Class 2 regulated power source. (See *Master Power Supply Instructions for wiring/installation instruction of Master Power Supply.*)

INSTALLATION

1. Connect 24VAC or 12VDC leads from power supply to flying leads of power lead extension (*included*) by crimping supplied Butt Connectors. [FIGURE 2]
2. Feed approximately 4" of power and video leads through the upper housing through access hole and replace ceiling tile.
3. Place upper housing through hole from underneath ceiling tile. Place support plate (if applicable) behind housing. Using Philips head screwdriver, turn the anchor screws clockwise in order to spin the anchor clips into locking position (outward).
4. The anchor clips will twist over the support plate. Turn the anchor clip screws until the upper housing is snug. **DO NOT OVERTIGHTEN.**
5. Connect power and video leads to the camera. [FIGURE 3]

WARNING

Camera and video leads are keyed and will only attach to camera one way, DO NOT FORCE PLUG OR DAMAGE MAY OCCUR.

6. Place camera into hanger bracket. Make final pan and tilt adjustments and hand tighten knurled knobs to secure. Knurled knobs should be located at top of camera when positioned in hanger. [FIGURE 4]

WARNING

Fixed lenses are set at the factory and should only need adjustment in rare cases.

7. Attach the dome assembly and trim ring by positioning the open end of the hooks towards the steel pegs in upper housing, lifting into position and twisting clockwise.

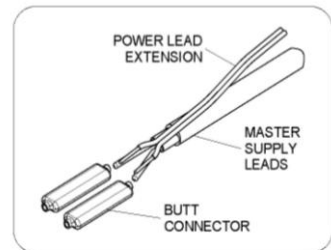


FIGURE 2

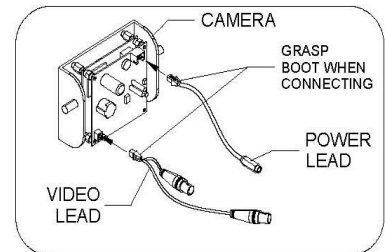


FIGURE 3

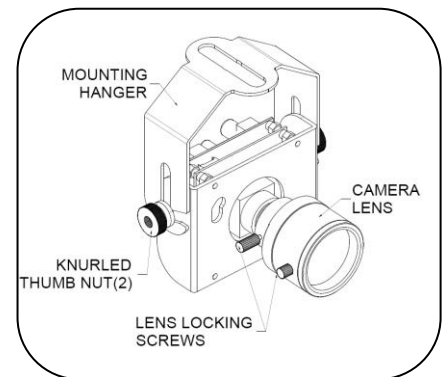


FIGURE 4

TROUBLESHOOTING

If there is no video signal, check the following:

1. Verify proper voltage requirements at the following points:
 - Master power supply box
 - Home run supply to Power Lead Extension
2. Check to make sure camera site is receiving 12VDC or 24VAC power at the barrel plug by placing one end of voltmeter test probe into positive (+) center post and the other probe on the negative (-) side post to obtain voltage reading.
3. Check BNC connector for proper termination and continuity.
4. Wren Technical Support is available from 8am to 5pm CST Mon-Fri @ 866-WMT-WREN (866-968-9736).

SPECIFICATIONS

MECHANICAL PROPERTIES

Upper unit	Plenum Rated Drawn Steel Can
Lower unit	Polycarbonate in ABS trim ring
Hardware	Steel construction with black powder coat finish
Unit Weight	1.30 lbs without camera / 1.56 lbs with camera
Shipping weight	1.78 lbs without camera / 2.04 lbs with camera

ELECTRICAL PROPERTIES

See Also *Camera Information Sheet*

Input voltage	DC: 12 / AC: 24
Max Coax cable run	1500 feet
Power consumption	Max 7.2W
Video connection	BNC

CAMERA SPECIFICATIONS

See Also *Camera Information Sheet*

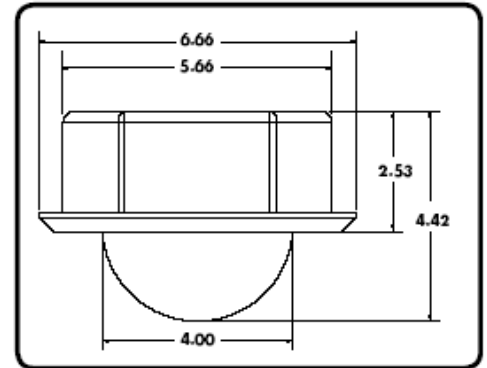
Signal	NTSC
--------	------

ENVIRONMENT

Indoor
Storage Temp: -30 to 60 °C
Operating Temp: -10 to 45 °C

ACCESSORIES

CTS4	Ceiling Tile Support
------	----------------------



DIMENSIONS

(All Dimensions Are in Inches)

All products are subject to the current version of Wren Terms and Conditions

WREN LIMITED MANUFACTURER'S WARRANTY

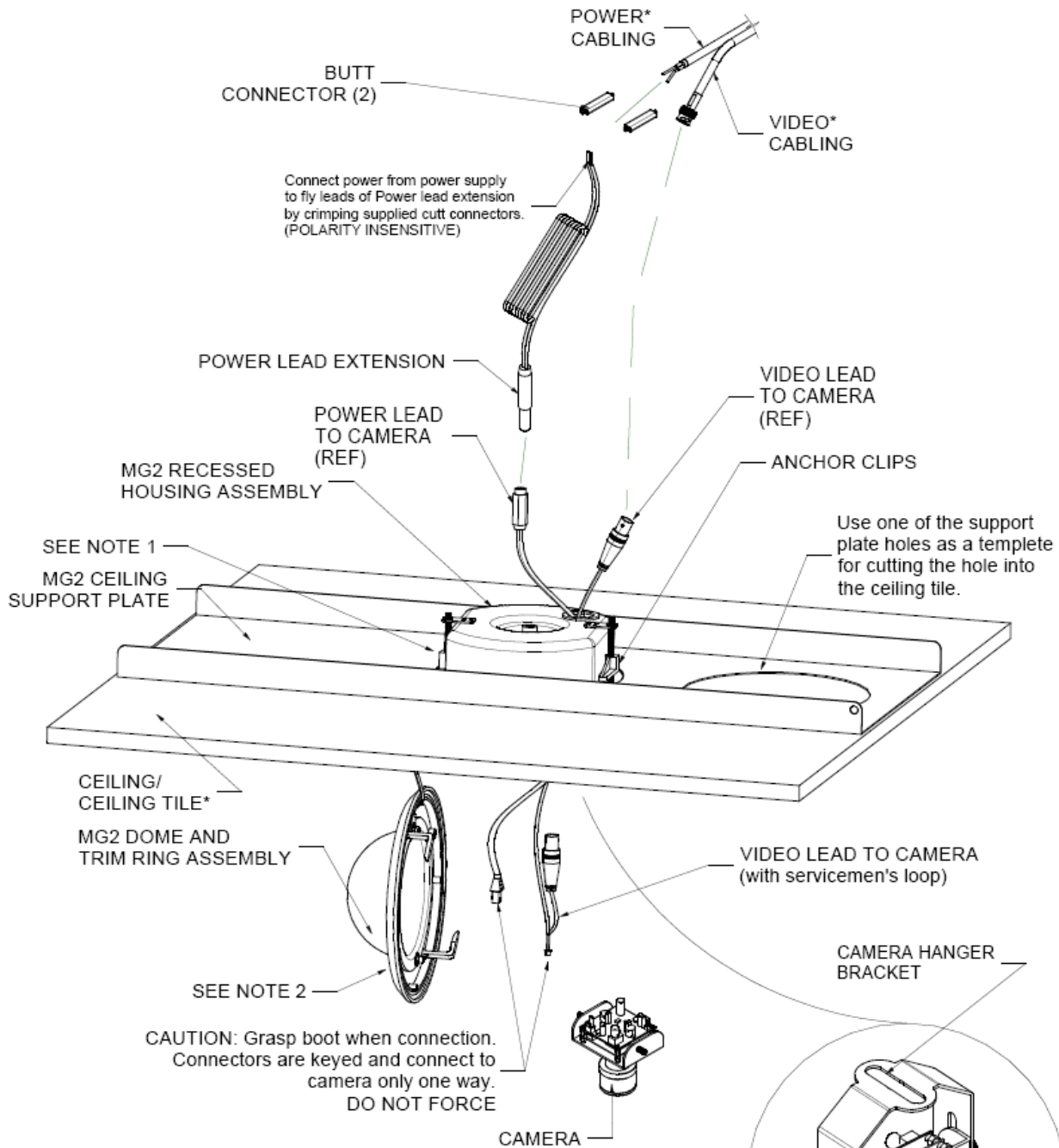
Unless otherwise noted, all products are covered by Wren's Standard Limited Manufacturer's Warranty as set forth in the current version of Wren's Terms and Conditions. For a copy of the Terms and Conditions please use the contact information below.

RETURNS

In order to return parts to the factory for repair or credit, please call the factory at (800) 881-2249 or (573) 893-2249 to obtain a Return Authorization (RA) number. All returns are subject to Wren's RA Policy. Goods returned for credit should be in their original condition—new and unused. Merchandise may be returned by the Customer for credit within 30 calendar days from the invoice date. Products may not be returned more than 31 calendar days from the invoice date. Custom, special order and OEM products may not be returned.

Wren®, the Wren logo, The Power to See Your Business, Wren IP Solutions, No Tools Required and Solution Set Series are trademarks of Wren. The trademarks that are followed by ® are registered trademarks in the U.S. All other trademarks and/or registered trademarks mentioned herein are properties of their respective owners and are used for reference purposes only. The use of these trademarks does not indicate any affiliation with or sponsorship of or by Wren. ©2006 Wren. All rights reserved.

INSTALLATION REFERENCE GUIDE



NOTES:

1. After recessed housing is installed as shown, turn screws clockwise to spin and lock down anchor clips. **DO NOT OVERTIGHTEN.**
2. Align hooks with pins inside recessed housing and twist clockwise to secure trim ring to recessed housing.
3. After connections are made, install camera into hanger bracket. Studs to be orented above center of lens. Tighten knurled nuts to secure camera to bracket.

KNURLED NUT (2)

SEE NOTE 3