

MECHANICAL PROPERTIES

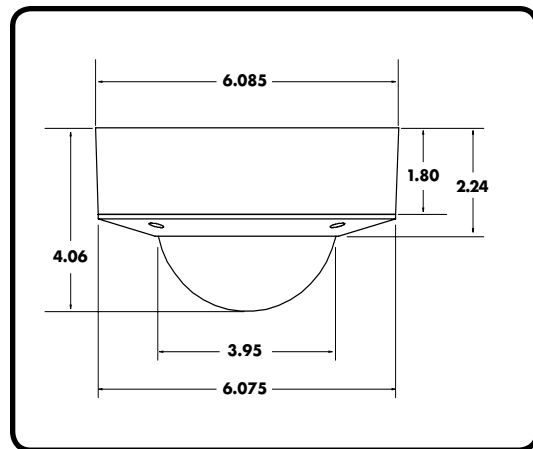
Suitable temperature range	0 to 55 degrees Celsius
Upper unit	Cast aluminum
Lower unit	Cast aluminum trim ring with polycarbonate dome
Hardware	Heavy-gauge steel construction with black powder-coat finish
Unit weight	3.0 lbs
Shipping weight	3.7 lbs

ELECTRICAL PROPERTIES

Input voltage	24VAC +/- 10%
Power consumption	3-3.6W
Video connections	BNC
Video output	1.0 V p-p, 75 ohms

ENVIRONMENT

- Weather-resistant (*with sealer application*)
- Tamper-resistant
- Indoor/Outdoor



DIMENSIONS

(All Dimensions Are in Inches)

All Products Are Subject to the Current Version of Wren Terms and Conditions

WARRANTY INFORMATION

Wren warrants detention grade MiniGlobes for five (5) years from the purchase date, recorded as the ship date on Wren's invoice, against any defects in material or workmanship as long as the product is used for the purposes for which it was intended. Warranty claims will be processed only when accompanied by original order numbers which include: purchase order number, sales order number, invoice number and serial number (*if applicable*).

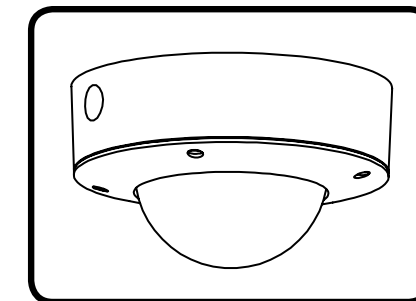
RETURNS

In order to return parts to the factory for repair or credit, please call the factory at (800) 881-2249 or (573) 893-2249 to obtain a Return Authorization (RA) number. All returns are subject to Wren's RA Policy. Goods returned for credit should be in their original condition—new and unused. All merchandise returned by the buyer for credit, and accepted by Wren, may be subject to a 20% restocking charge. Products returned within 31-90 calendar days from the purchase date will be subject to a 20% restocking fee. Products may not be returned more than 91 calendar days from the purchase date. Custom, special order and OEM products may not be returned.



Wren, 124 Wren Parkway, Jefferson City, MO 65109 USA
telephone (573) 893-2249 ■ toll-free (800) 881-2249 ■ facsimile (877) 893-2317
solutions@wrenassociates.com ■ www.wrenassociates.com

Wren® the Wren design logo® Wren IP Solutions. No Tools Required, Solution Set Series and Proven CCTV Solutions are trademarks of Wren Associates, Ltd. The trademarks that are followed by ® are registered trademarks in the U.S. All other trademarks and/or registered trademarks mentioned herein are properties of their respective owners and are used for reference purposes only. The use of these trademarks does not indicate any affiliation with or sponsorship of or by Wren Associates, Ltd. ©2005 Wren Associates, Ltd. All rights reserved.



INTEGRATED CAMERA SOLUTIONS:

MGDS4

MINIGLOBE SERIES: DETENTION GRADE

DESCRIPTION

The detention grade MiniGlobe (MGDS4) provides an extremely durable, integrated solution for indoor and outdoor security applications. The MGDS4 includes a high-quality camera, lens, and impact-resistant housing. The 4" discreet unit delivers robust, tamper-proof security. Use the MGDS4 in critical public locations and anywhere with low (10 feet or less) ceilings. It is an ideal solution for prisons, schools, banks, institutions and government facilities.

SUGGESTED INSTALLATION EQUIPMENT

- Slip-joint pliers
- Fastener appropriate for selected location and surface
- Power drill
- Drill bit selected for chosen fastener (*per fastener manufacturer's specifications*)

Depending on mounting surface, you will need the following:

- #8 cement anchor screws (*if mounting to cement surface*)
- #8 toggle bolts (*if mounting to sheetrock/drywall*)
- Standard octagonal junction box
- Silicone sealant (*if installing outside*)

COMPONENT LIST [FIGURE 1]

- | | |
|---------------------|----------------------------|
| (A) Base Housing | (F) Tamper-Proof Screws |
| (B) Side Entry Plug | (G) Tamper-Proof Hex Key |
| (C) Hanger Bracket | (H) 1/2" Conduit Connector |
| (D) Camera Assembly | (I) Butt Connectors |
| (E) Dome Assembly | |

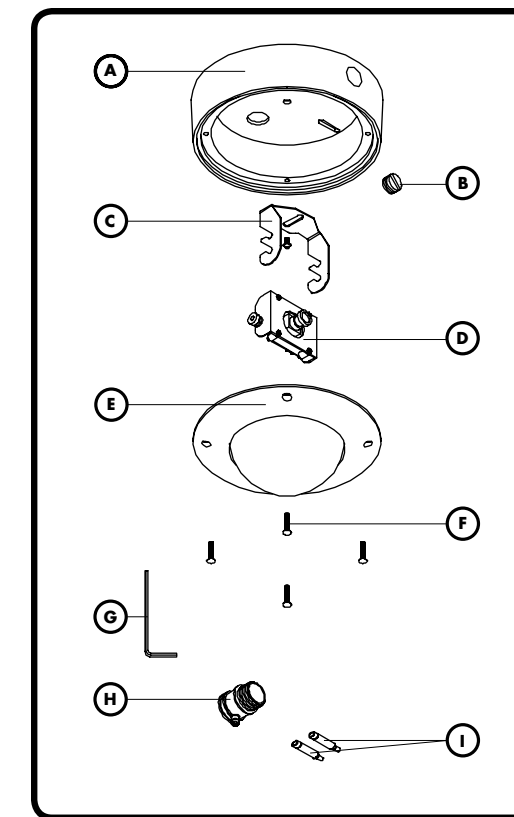


FIGURE 1

WARNINGS AND SAFEGUARDS

Prior to installation and use of this product, please observe the following warnings

1. Installation and servicing should be done by qualified personnel, and all work done should conform to local codes.
2. Using replacement parts or accessories other than Wren may invalidate the warranty.
3. This unit is designed to operate on 24VAC power only (check camera specifications for power type required). Do not bring any other voltages into the housing.
4. Make sure that the installation methods are capable of supporting three times the weight of the MGDS4 housing and enclosed contents. (See mechanical properties on last page.)

PREPARATION

1. Carefully unpack box and verify that all components listed are included [FIGURE 1].
2. Establish desired location for unit and run appropriate video and power cables to site.
3. Remove dome assembly and set aside carefully to ensure it does not become scratched.
4. Remove camera assembly from the camera hanger by hand loosening the knurled knobs and sliding the camera out (do not remove knobs). Carefully place camera aside.

MOUNTING

Secure base housing to desired surface using appropriate method below:

NOTE: When using the housing in an outdoor environment, apply a generous amount of silicone sealant along the outer radius of the base before mounting to the desired surface. When using side conduit entry, the enclosed EMT connector can be used with standard EMT conduit provided sealant is applied to the connector threads and conduit interface. For alternative types of conduit, use the appropriate connectors (not supplied) and sealing methods as defined by the conduit manufacturer. [FIGURE 2]

■ **Mounting to a standard 4 inch octagonal junction box (preferred method, junction box not supplied)**

- Pull video and power wires through the octagonal junction box and into the base housing.
- Use appropriate bolts (not supplied) to mount base housing to octagonal junction box [FIGURE 3].

■ **Mounting to sheetrock/drywall**

- Drill a hole (per fastener manufacturer's specifications) in the ceiling or wall to accommodate #8 toggle bolts (not included).

TIP: Use holes in the back of the base housing as a template.

- Pull video and power wires into the base housing, and attach the base housing to the wall or ceiling using #8 toggle bolts [FIGURE 4].

NOTE: If mounting to a wall install 3rd axis bracket. Refer to installation instruction sheet 7L181-S.

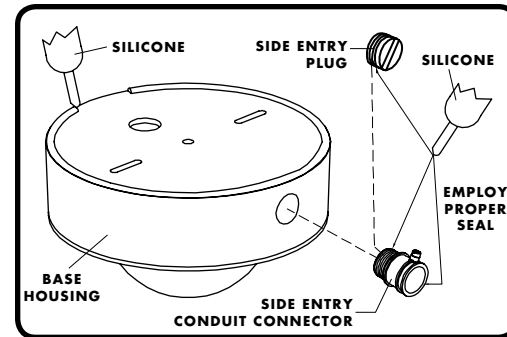


FIGURE 2

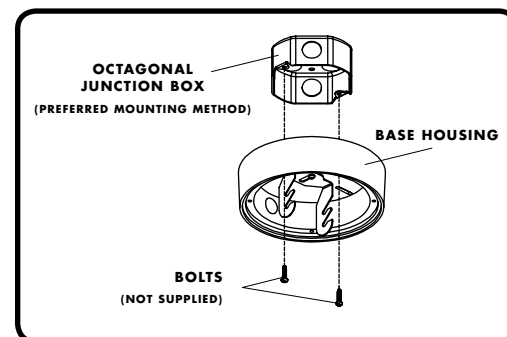


FIGURE 3

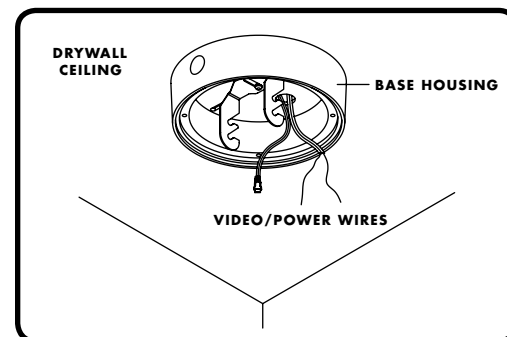


FIGURE 4

Mounting directly to a concrete wall or ceiling

- Drill a hole (per fastener manufacturer's specifications) in the concrete surface to accommodate #8 cement anchor screws (not included).

TIP: Use holes in the back of the base housing as a template.

- Pull video and power wires into the base housing and attach the base housing to the concrete wall or ceiling using #8 cement anchor screws.

NOTE: Video and power wires can also enter the base housing through the side by using a 1/2" conduit connector. [FIGURE 5]

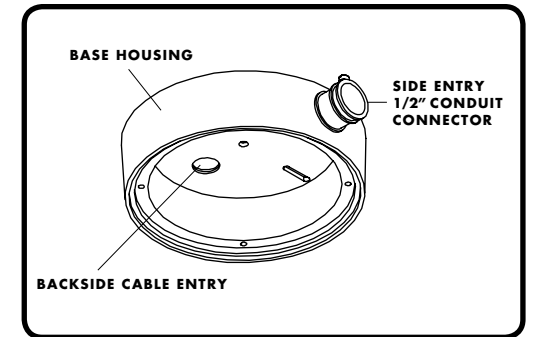


FIGURE 5

INSTALL CAMERA & DOME ASSEMBLY

1. Connect power leads from camera to 24VAC +/- 10% power supply.

TIP: To use Butt Connectors, twist the leads together, place joined leads into wide end of connector, crimp with pliers. [FIGURE 6]

2. Connect video BNC Connector from camera to video BNC Connector to monitor.

3. Place camera into hanger bracket. Position camera to view desired location. [FIGURE 7]

4. Make any necessary adjustments to the lens by hand-turning the lens.

NOTE: Fixed lenses are set at the factory and should only need adjustment in rare cases. [FIGURE 7]

5. Position liner so that the opening is lined up with camera view.

6. Attach dome assembly to the base housing by tightening the four (4) tamper-proof screws using included tamper proof hex wrench.

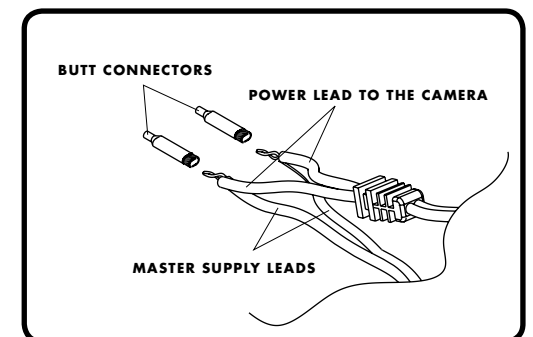


FIGURE 6

TROUBLESHOOTING

If there is no video signal, check the following:

1. Check for 22-26VAC power at the camera site by connecting the voltmeter leads to power supply power leads at the camera.
2. Check BNC connector for proper termination and continuity.

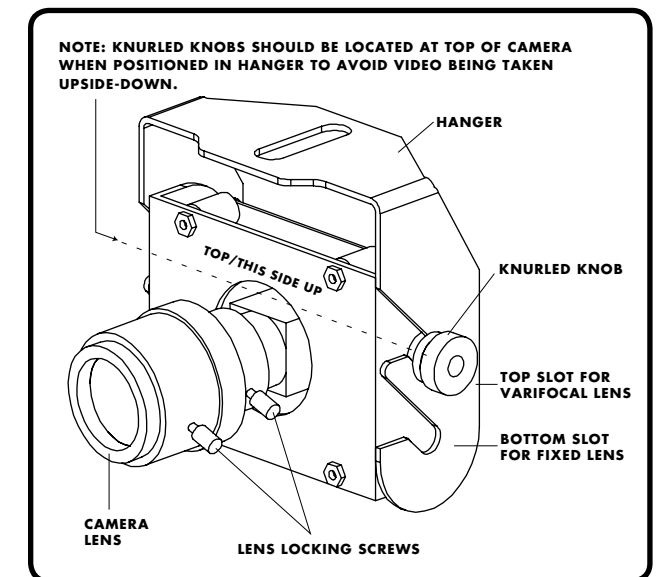


FIGURE 7

Wren Technical Support is Available from 8am to 5pm CST Mon-Fri @ 800-881-2249