

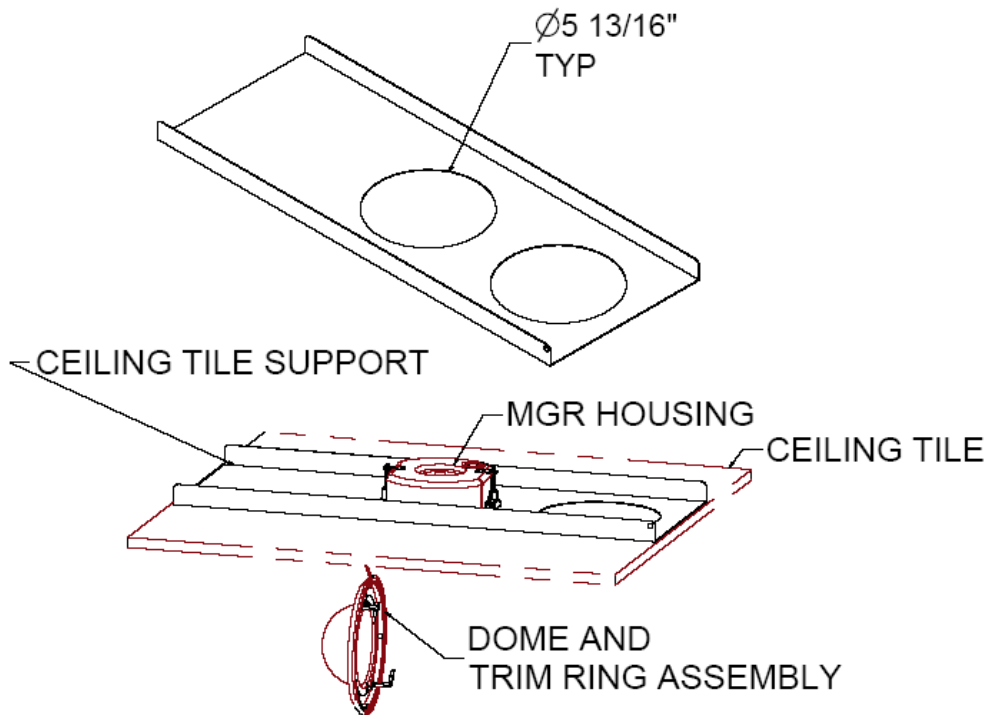
CTS4 INSTRUCTION SHEET



The Power to See
Your Business™

DESCRIPTION

The Wren CTS4 is designed to provide rigid support for the Wren MGR4 series of security camera housings when installed in acoustical tile ceilings.



Warnings and Safeguards

Prior to installation and use of this product, please observe the following warnings

1. Installation and servicing should be done by qualified personnel, and all work done should conform to local codes.
2. Using replacement parts or accessories other than Wren may invalidate the warranty.

WREN LIMITED MANUFACTURER'S WARRANTY

Unless otherwise noted, all products are covered by Wren's Standard Limited Manufacturer's Warranty as set forth in the current version of Wren's Terms and Conditions. For a copy of the Terms and Conditions please use the contact information below.

RETURNS

In order to return parts to the factory for repair or credit, please call the factory at (800) 881-2249 or (573) 893-2249 to obtain a Return Authorization (RA) number. All returns are subject to Wren's RA Policy. Goods returned for credit should be in their original condition—new and unused. Merchandise may be returned by the Customer for credit within 30 calendar days from the invoice date. Products may not be returned more than 31 calendar days from the invoice date. Custom, special order and OEM products may not be returned.

Wren®, the Wren logo, The Power to See Your Business, Wren IP Solutions, No Tools Required and Solution Set Series are trademarks of Wren. The trademarks that are followed by ® are registered trademarks in the U.S. All other trademarks and/or registered trademarks mentioned herein are properties of their respective owners and are used for reference purposes only. The use of these trademarks does not indicate any affiliation with or sponsorship of or by Wren. ©2006 Wren. All rights reserved.