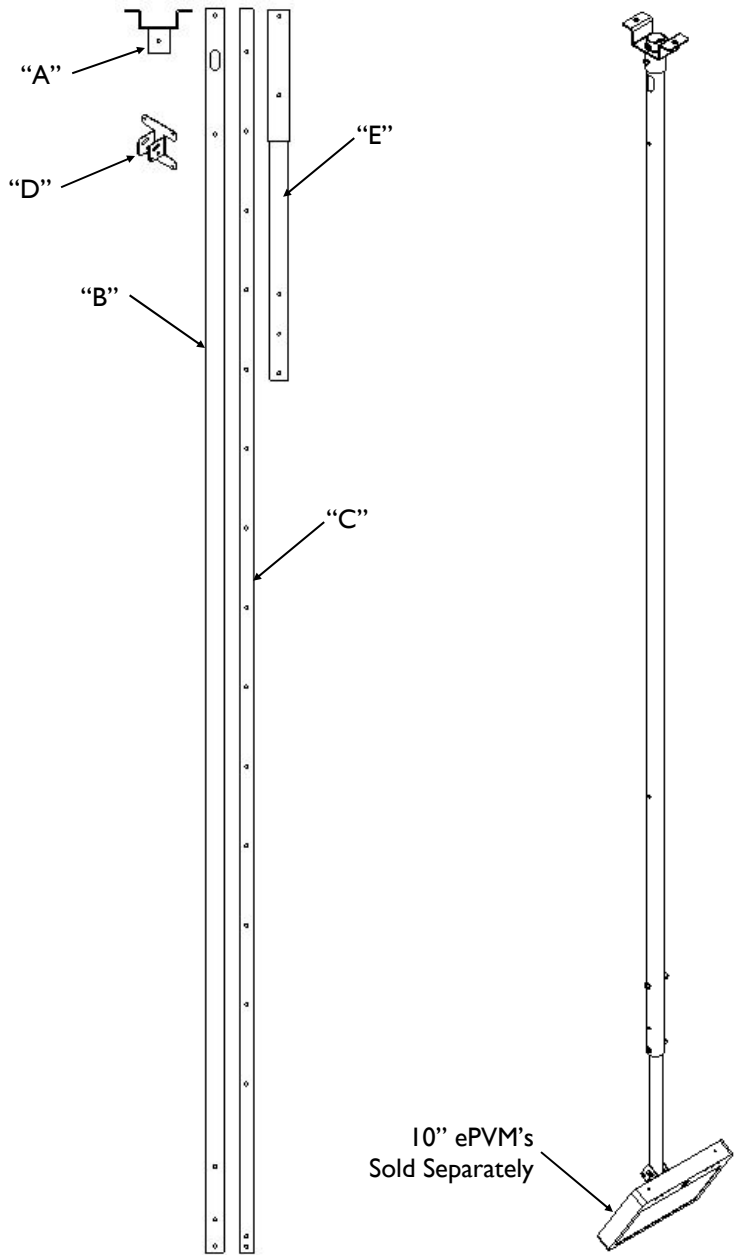


CM-S10-17-W Ceiling Mount, Single 10" PVM, 9' to 17' adjustment.

STEP I - Remove Items from boxes and inspect.

Supplied Parts

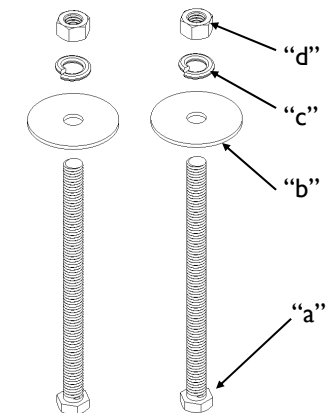
- A. Top Mount Assembly
- B. Top Tube 1.375" diameter
- C. Bottom Telescoping 1" diameter
- D. Monitor Mounting Bracket
- E. Extender Tube
- F. Tether (not shown)
- G. Hardware Kit #1
 - a. Bolt, Hex Head, 3/8-16 x5.5" (2)
 - b. Washer (2)
 - c. Washer, Split lock 3/8 (2)
 - d. Hex nut, 3/8-16 (2)
- H. Hardware Kit #2
 - e. Screw, 1/4-20 x 1.75" Pan Hd. Phil (2)
 - f. Nut, Nylok, 1/4-20 (4)
 - g. Screw, 1/4-20 x 2" Pan Hd. Phil (2)
- I. Hardware Kit #3
 - h. Screw, 1/4-20 x 1.5" Pan Hd. Phil (2)
 - i. Nut, Nylok, 1/4-20 (2)
 - j. Packages of 4 screws M4-0.7 x6mm (2)
- J. Hardware Kit #4
 - k. Screw, 1/4-28 x .375" Pan Hd. Phil (2)
 - l. Screw, 1/4-20 x 1.75" Pan Hd. Phil (1)
 - m. Nut, Nylok, 1/4-20 (1)
- K. Installation Instructions



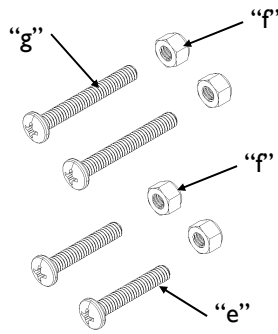
Assembled View

Required Tools

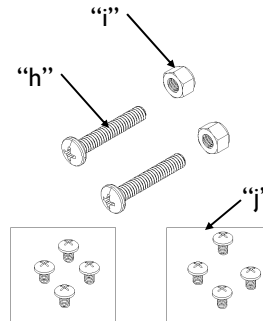
1. Wrench/ Socket size 9/16"
2. Wrench/ Socket size 7/16"
3. Screw driver #2



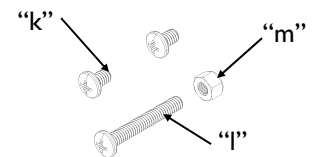
400A552G01
Hardware Kit #1



400A570G01
Hardware Kit #2



400A554G01
Hardware Kit #3

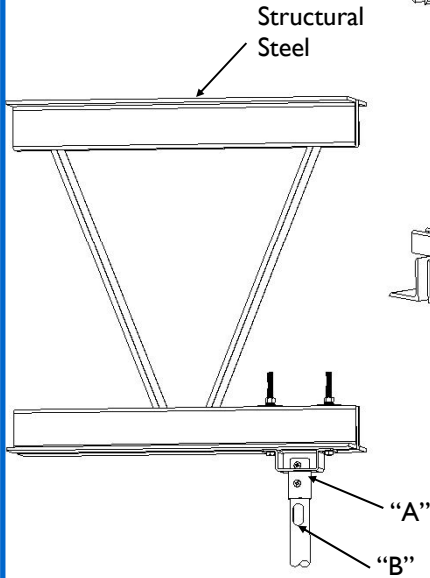


400A557G01
Hardware Kit #4

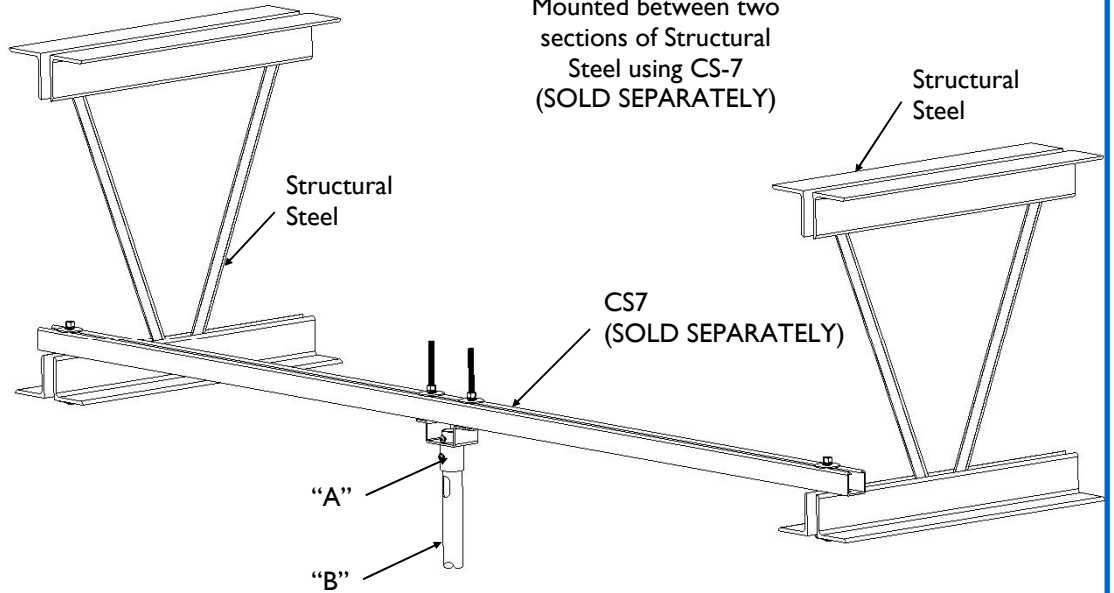
STEP 2 - Route cables to desired location.

STEP 3 - Choose Mounting option A or B

Option "A"
Mounted directly to
Structural Steel



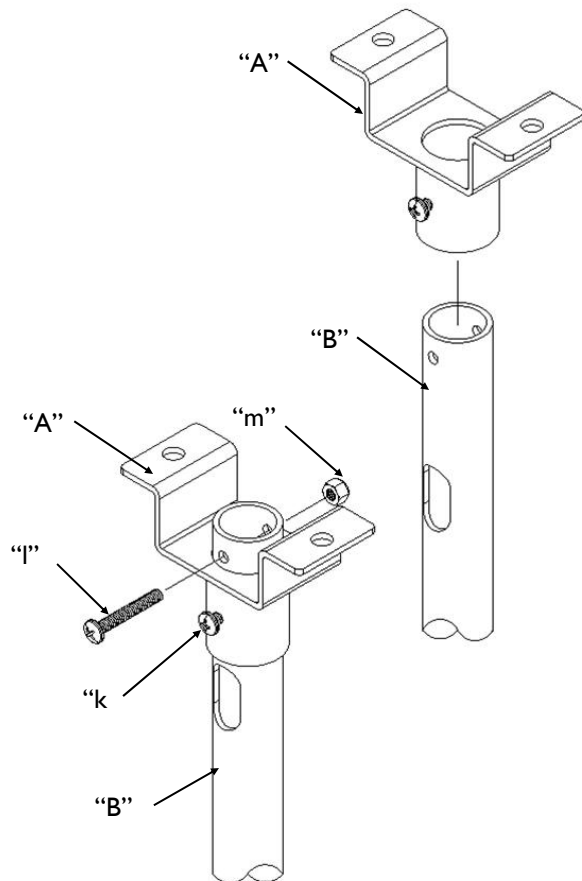
Option "B"
Mounted between two
sections of Structural
Steel using CS-7
(SOLD SEPARATELY)



STEP 4 - Prepare parts for installation

Top Tube Sub-Assembly

- Slide top end of part "B" thru coupling portion of part "A".
- Insert part "l" thru top holes of part "B" secure with "m".
- Secure rotational position by tightening "k" as shown below.



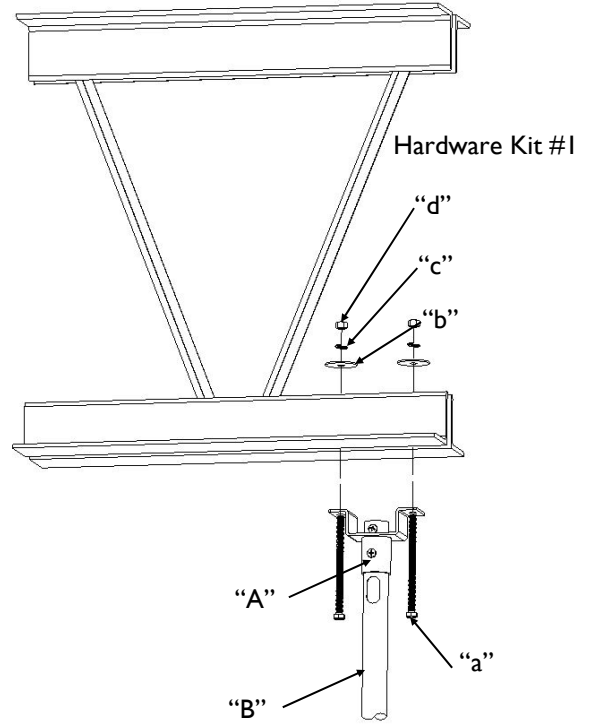
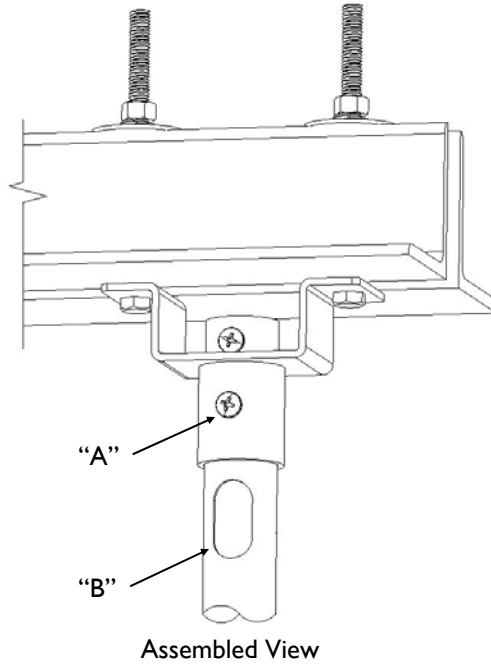
INSTALLATION INSTRUCTIONS

STEP 5 – Install Top Assembly with Top tube

- Choose mounting Option “A” or “B”.
- Mount Top Assembly with Top tube per chosen option using **Hardware Kit #1**.
- Route Tether and cables through Cable Entry in Top Tube.

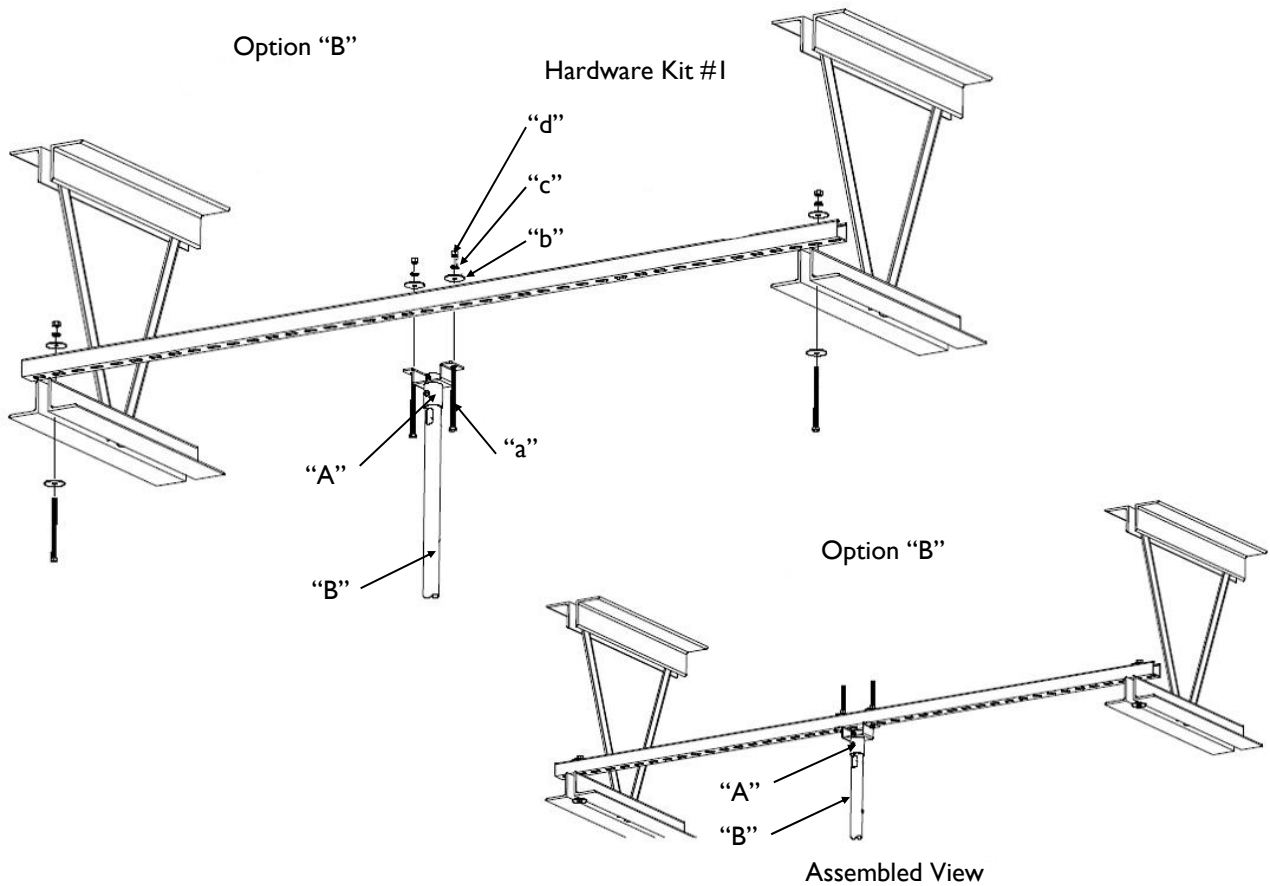
NOTE: A minimum of 10 foot of power cable should extend beyond the bottom end of Top Tube.

Option “A”
Mounted directly to
Structural Steel



Option “B”

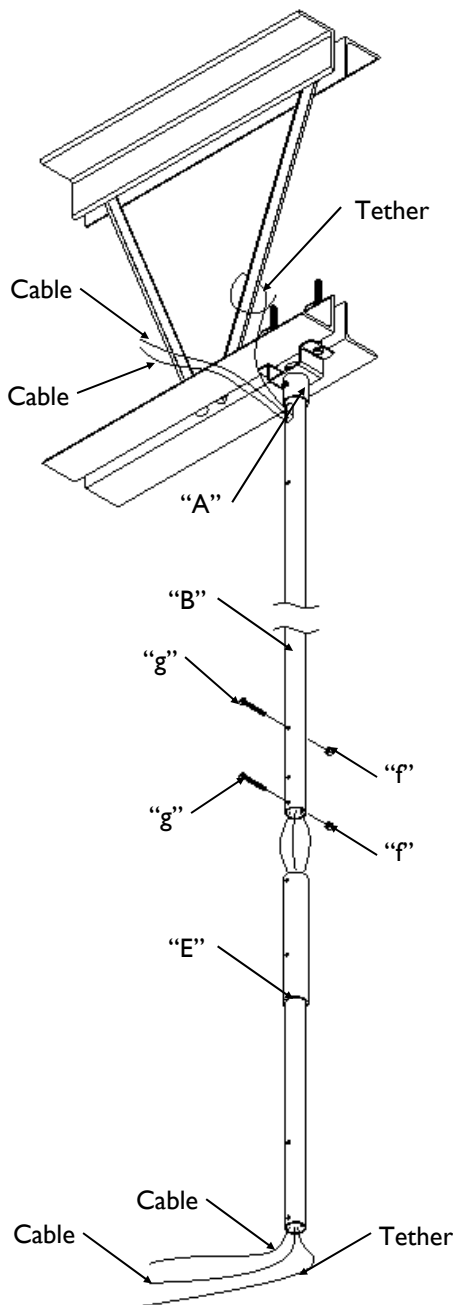
Hardware Kit #1



STEP 6- Process for installing Telescoping tube

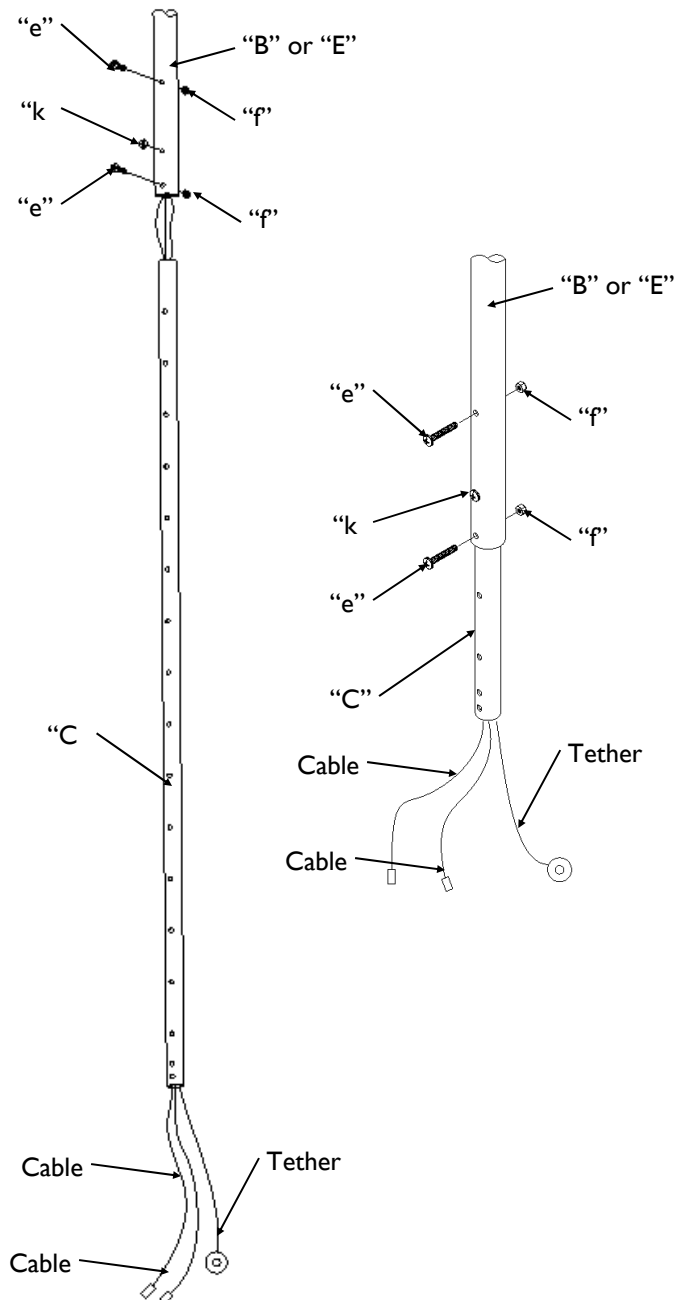
A. Route Cables and Tether through tubing

- Route Cables and Tether through the Top Tube assembly "B" as shown.
- Secure Tether to structural steel. Using cable clip found in Tether package. Leave no more than 12" slack in tether.
- Pull cables to extend beyond the end of the Extension Tube "E". Make sure there is enough cable to thread through the Telescoping Tube "C".
- Complete connection by inserting Screws "g" through "E" and "B". Thread Lock nut "f" on Screw "g".



B. Install Telescoping tube and complete desired height adjustment.

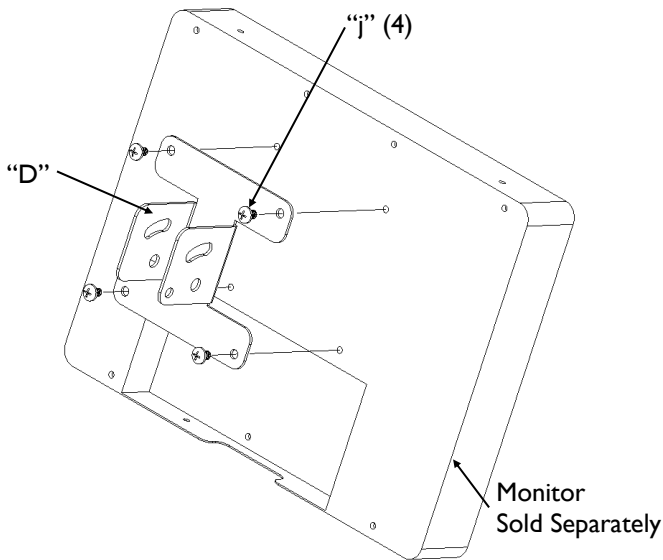
- Route extended portion of Cables and Tether through Telescoping Tube "C".
- **Note: See the two holes used to mount part "C" in Telescoping tube. These holes must be exposed.**
- Slide Tube "C" into Tube "B" or "E" until bolt holes align at desired height.
- Complete connection by inserting Screws "e" through "B" or "E" and "C". Thread Lock nut "f" on Screw "e".
- Tighten Wedging Screw "k" to prevent wobble.
- Retract extend Tether and cables as needed to have 18 inches of cable extending beyond tube "C".



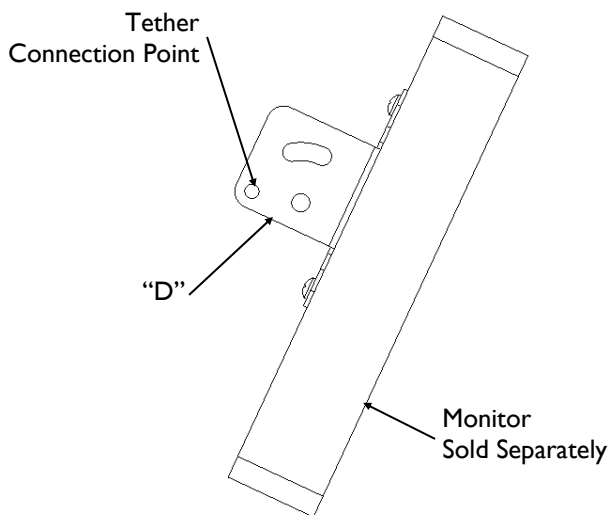
STEP 7 — Install 10" ePVM on Monitor Mounting Bracket

A. Prepare Monitors for installation.

- Remove monitor access door. Set aside to be installed later.
- Hardware Kit #3 has 2 packages of "i" monitor mounting screws. Use one package to mount monitor to item "D".



MOUNTING MONITOR



SIDE VIEW IDENTIFICATION

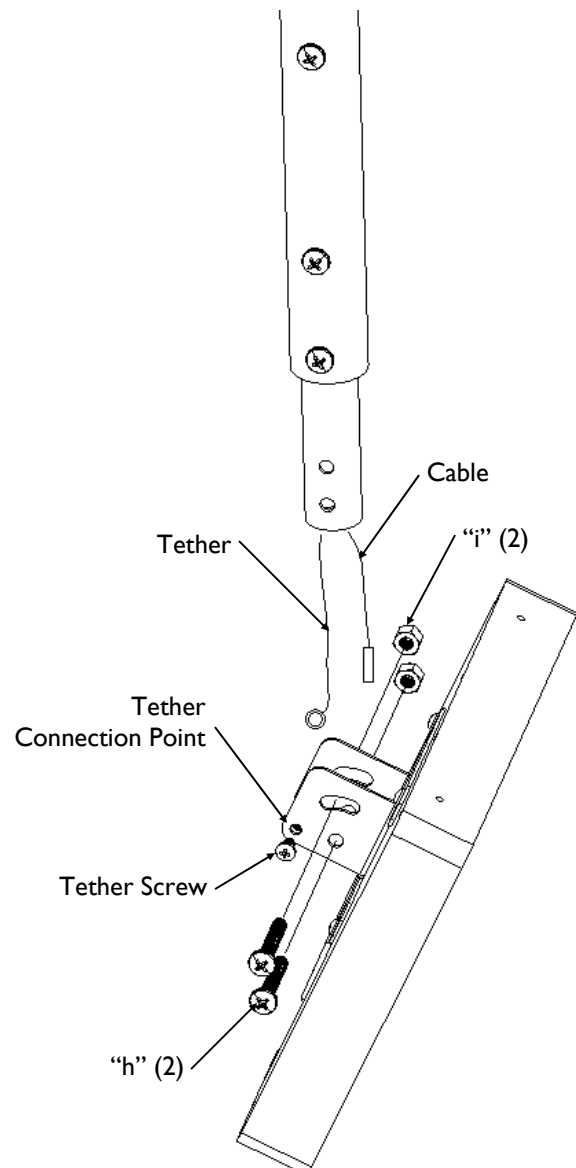
STEP 8 — Mount Monitor Mounting Bracket to Telescoping Ceiling Mount

A. Attach Tether to Monitor Mounting Bracket

- Use screw and nut found in Tether Package to attach Tether end with eye to Monitor Mounting Bracket at Tether attachment point identified below.

B. Align Monitor Mounting Bracket holes with holes in Telescoping tube.

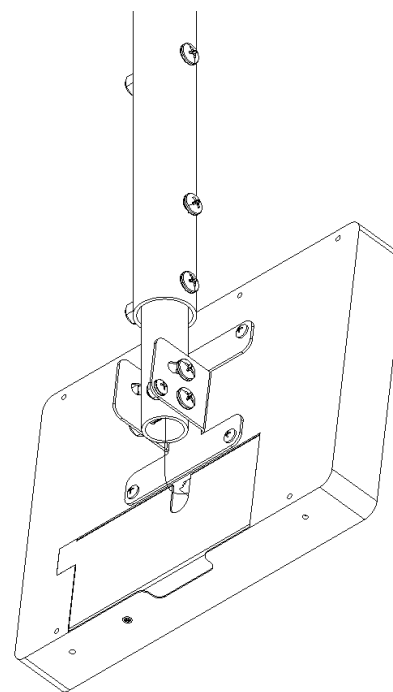
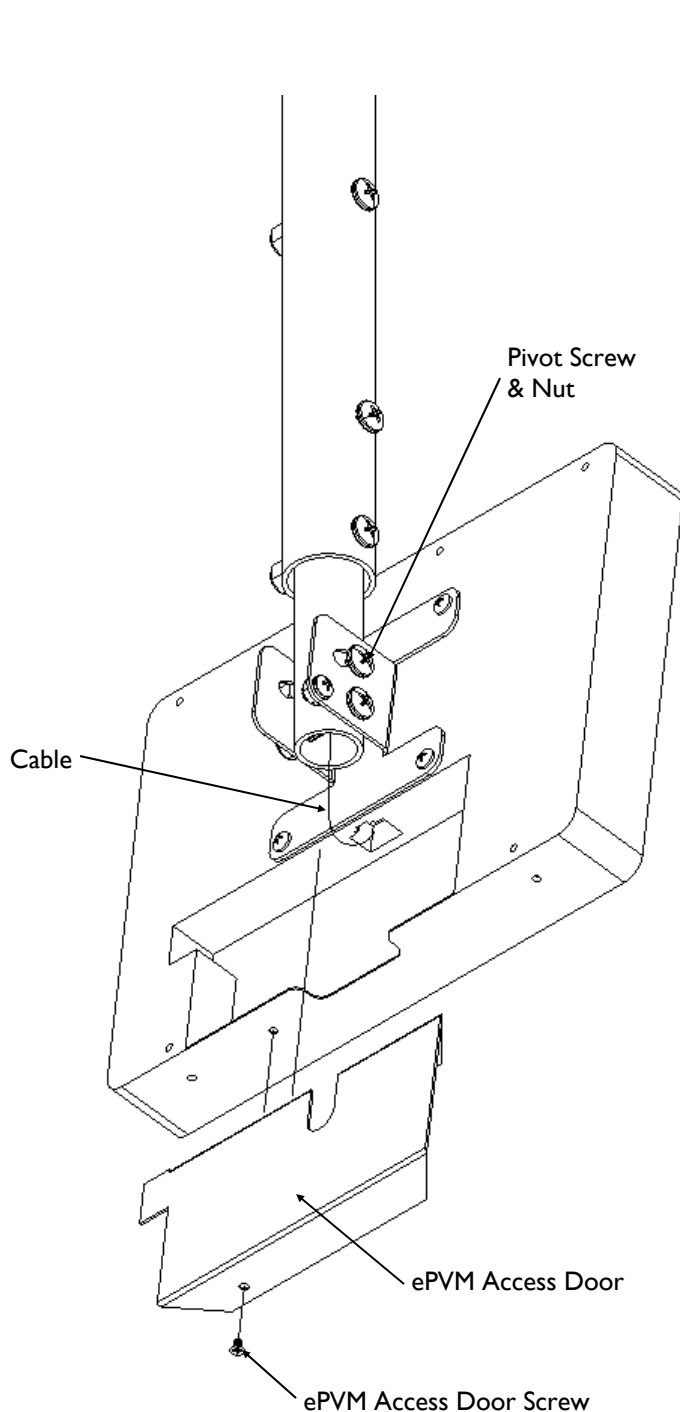
C. Use the remaining 2 Screws and Lock nuts from Hardware Kit #3 to secure Monitor Mounting Bracket on Telescoping tube.



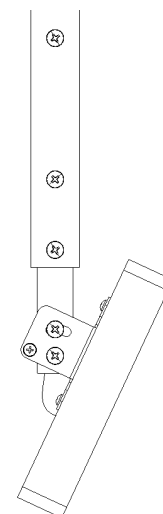
STEP 9 — Complete Cable connection to ePVM

A. Connect Cable to ePVM.

- Loosen screw allowing monitor mounting bracket to pivot.
- Connect cable to the monitor.
- Install access door removed in STEP 7 to the monitor.
- Retract excess cable.
- Position Monitor to desired camera viewing angle.
- Snuggly tighten Pivot Screw “h” and nut “i” to secure Monitor position.



BOTTOM VIEW WITH ACCESS DOORS INSTALLED



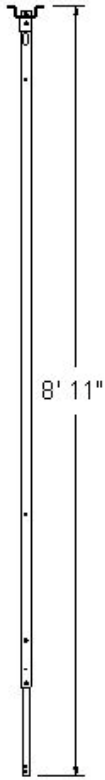
SIDE VIEW

INSTALLATION INSTRUCTIONS



STEP 10 – Pole Lengths

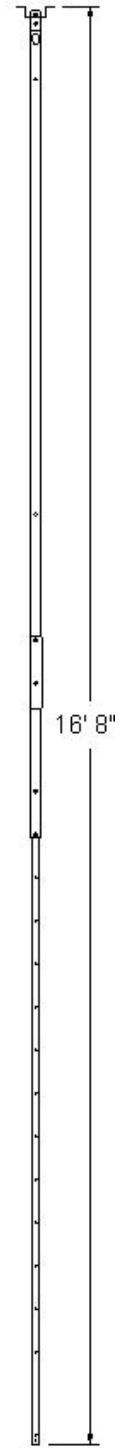
CM-S10-17-W
Shortest config.



CM-S10-17-W
Longest without
Extension



CM-S10-17-W
With Extension



Unless otherwise noted, all products are covered by Wren's Standard Limited Manufacturer's Warranty as set forth in the current version of Wren's Terms and Conditions.

For a copy of the Terms and Conditions please visit our website at www.wrensolutions.com.

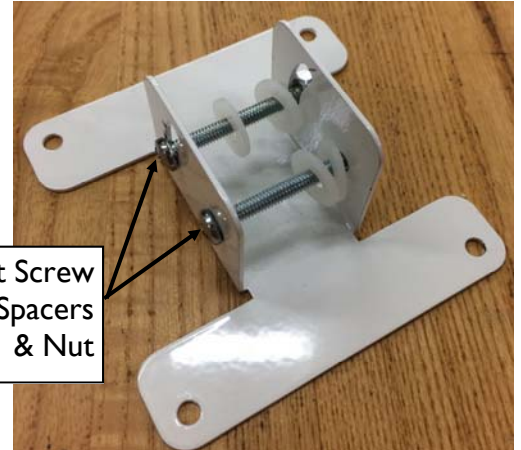


124 Wren Parkway - Jefferson City, MO 65109 - (800) 881-2249 - www.wrensolutions.com

Wren®, the Wren logo, and The Power to See Your Business are trademarks of Wren. The trademarks that are followed by © are registered trademarks in the U.S. All other trademarks and/or registered trademarks mentioned herein are properties of their respective owners and are for reference purposes only. The use of such third party trademarks does not indicate any affiliation with or sponsorship of or by Wren. Copyright © 2015 Wren. All rights reserved.

Follow installation instructions included with product.

Note: The ePVM mounting bracket supplied is slightly different from the instructions included. See photo to the right.



Pivot Screw
Nylon Spacers
& Nut

1. Attach the ePVM mounting bracket to the telescoping tube using the Screws, Nylon Spacers and Nuts provided.
2. Thread the eye of the Tether that is routed through the tubing, over the Pivot Screw. See two photo below.

